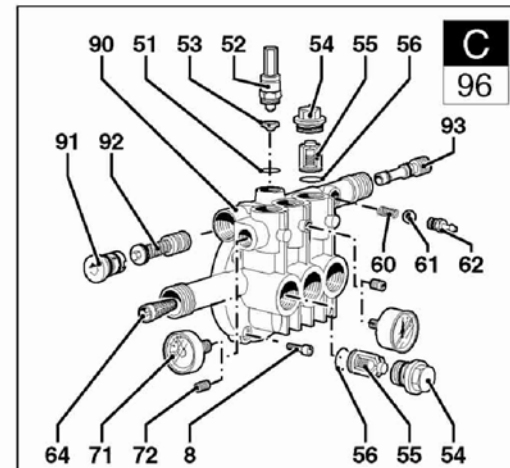
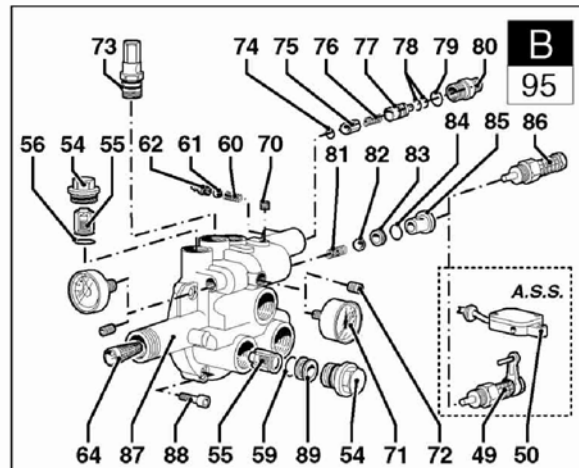
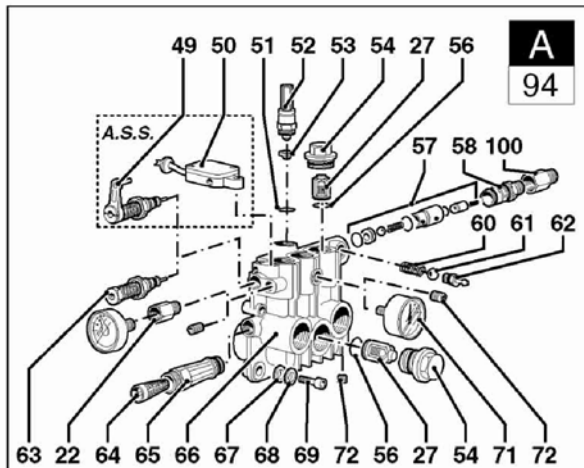
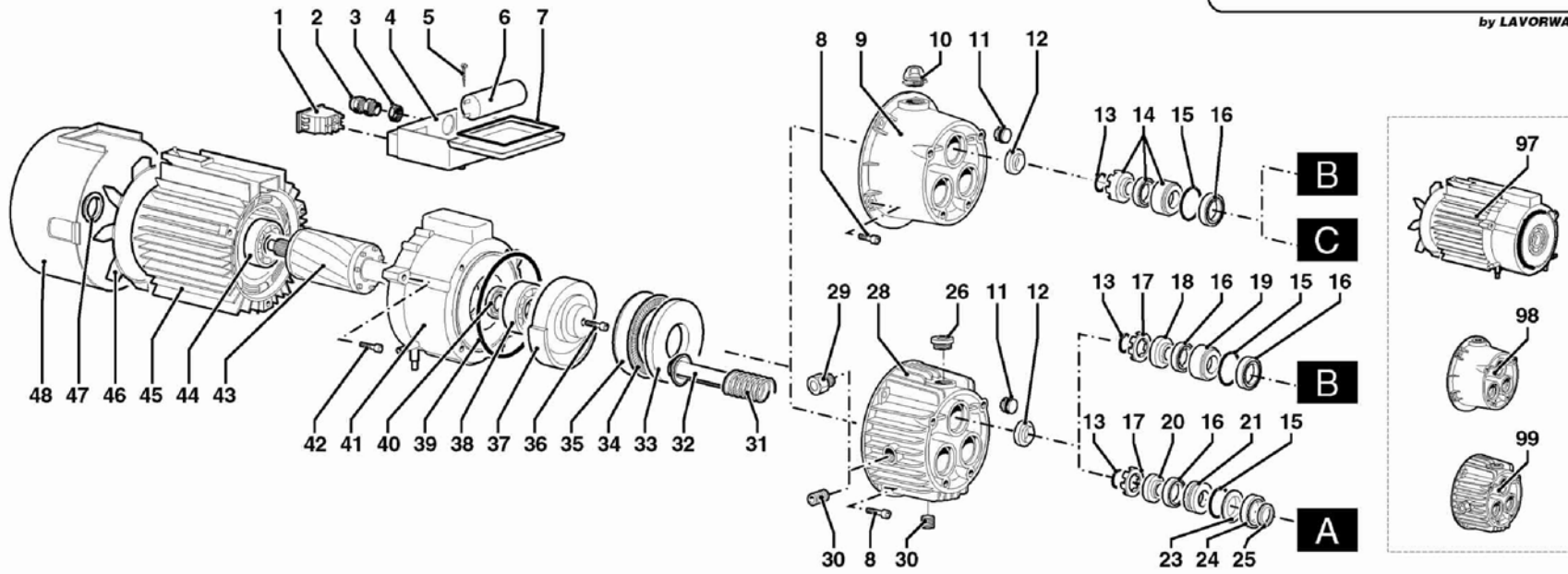


Exploded drawing cod. E50010004/01

by LAVORWASH



0799



PARTS LIST

Code R50010215-1 **Start Date** 1/1/1999
Description MOTOP.OMNIA'97 230/50 H.90 **End Date** 1/1/3000
 PIA6,40 ALTA IND./ANT.TOT.STOP **Table** E50010004/01

Pos.	Code	Price	Q.ty per pck.	Qty.	Description	Alternative	Price	Q.ty per pck.	Description
000	5.001.0215	0	1	1	MOTOP.OMNIA'97 230/50 H.90 PIA6,40 ALTA IND./ANT.TOT.STOP		0	0	
001	5.009.0213	10	2	1	SWITCH WITH PROTECTION 12(10)		0	0	
002	3.406.0004	1	20	1	CABLE TERMINAL PG.11		0	0	
003	3.406.0011	1	20	1	BUSHING FOR PG.11 CABLE TERMINAL		0	0	
004	4.008.0354	5.3	5	1	ELECT.BOX PART'96 WITH SWITCHFRAME	4.008.0897	20	1	ELECTRICAL BOX PT'96 X TS ESP.00
005	3.002.0111	1	20	2	SCREW TC-TORX M4X10 ZNT		0	0	
006	3.404.0022	20	1	1	CAPACITOR 30mF 450V.		0	0	
007	4.008.0098	0	1	1	PARTNER ELECTRIC BOX GASKET ESP2	4.008.0613	1.45	20	ELECTRIC-BOX SEAL
008	3.002.0003	1.11	20	4	HEXAGON SOCKET HEAD CAP SCREWM8X25 UNI 5931 ZNT		0	0	
009	4.005.0087	34.71	1	1	PISTON BODY GUIDE FOR BEST	4.005.0184	48.67	1	BEST BODY GUIDE WITH WINGS '01ESP.03
010	5.009.0053	1	20	1	OIL CAP		0	0	
011	5.009.0207	10	2	1	CAP ASSY		0	0	
012	3.201.0002	5.19	6	3	O-RINGBADSLSF 15X25,4X5 /7		0	0	
013	3.200.0004	1	20	3	O-RING GASKET 12,4X1,78 REF.2050		0	0	
014	5.009.0008	6.75	3	3	COMPLETE BUSH FOR SECOND WATERSEAL		0	0	
015	3.200.0003	1	20	3	O-RING GASKET 25,12X1,78 REF.2100		0	0	
016	3.201.0003	3.5	6	3	WATER SEALING RING N.15X22X4		0	0	
031	4.007.0011	6.67	3	3	PISTON RECALL SPRING D.15 30L.42		0	0	
032	5.009.0086	7.79	3	3	PISTON ASSY		0	0	
033	4.007.0001	20	1	1	THRUST SHOE D.65 (C10Pb) FINISHED		0	0	
034	3.001.0004	4.43	6	1	NEEDLE ROLLER CAGE MOD. AXK4565	3.001.0025	2.27	10	NEEDLE-ROLLER CAGE
035	3.001.0003	2	10	1	DISK AS 4565		0	0	
036	3.002.0011	1.14	20	1	SCREW TCEI M8X22 UNI 5931 ZNT		0	0	
037	4.005.0040	20	1	1	DIE-CASTED COLLAR 6,45		0	0	
038	3.001.0007	0	1	1	BALLS RIGID RADIAL BEARING 6304	3.001.0031	20	1	ANTERIOR RADIAL FOR CASING 20X52X15 - 6304



PARTS LIST

Code R50010215-1 **Start Date** 1/1/1999
Description MOTOP.OMNIA'97 230/50 H.90 **End Date** 1/1/3000
 PIA6,40 ALTA IND./ANT.TOT.STOP **Table** E50010004/01

Pos.	Code	Price	Q.ty per pck.	Qty.	Description	Alternative	Price	Q.ty per pck.	Description
039	3.200.0002	1	20	1	O-RING GASKET 90X2,5		0	0	
040	3.201.0001	1	20	1	OIL SEAL 20/35/6/6,5 BABSL		0	0	
041	4.005.0100	25.74	1	1	FRONT FLANGE 125 '96 H110	5.009.0168	24.87	1	FRONT MOTOR FLANGE '96 125 ALTA BEST PACCO
042	3.002.0115	1	20	3	SCREW TC M5X35 SWAGEFORM ZNT		0	0	
043	5.005.0028	32.99	1	1	ROTOR D.65 H.90		0	0	
044	3.001.0020	10	2	1	RADIAL FOR POSTERIOR FLANGE 17X40X12 6203 2RS		0	0	
045	5.002.0080	0	1	1	FRAME '96 D.125 H.90 230/50 2P	5.002.0066	102.91	1	HOUSING '96 D.125 H.90 230/502P
046	4.008.0092	20	1	1	FAN FB80 WITH HOLE D.16,5 (PARTNER)		0	0	
047	3.099.0049	10	2	1	LOCKING RING D.23 FAN FB80		0	0	
048	4.008.0236	20	1	1	FAN COVER FOR MOTOR '96		0	0	
049	5.009.0277	22.39	2	1	COMPENSATED VALVE ADJUSTING PIN+O-RING ASSEMBLY	6.005.0078	25	1	KIT 78 LW
050	5.009.0279	21	1	1	ELECTRICAL BOX FOR TOTAL STOPDEVICE		0	0	
054	5.009.0101	6.75	3	5	CAP VALVE SUCTION DELIVERY-ORMOUNTED		0	0	
055	5.009.0005	6.75	3	6	DELIVERY SUCTION VALVE LAVOR 1		0	0	
056	3.200.0019	1	20	3	O-RING 12,4X1,78 SH.90		0	0	
059	3.200.0012	1	20	3	OR 10,78X2,62 RIF.3043		0	0	
060	4.007.0014	1	20	1	DETERG.STOP VALVE SPRING 4X8 ESP.3		0	0	
061	3.005.0001	1	20	1	BALL INOX 420 DIAM.5 DEGREE OFACCURACY G 500		0	0	
062	5.009.0164	4.84	5	1	DETERG.INJECT.HOSE FITTING	6.005.0030	14.5	2	KIT 28 LAVOR DETERGENT'S SUCTION
064	4.008.0031	1	20	1	INLET WATER FILTER H2O D.16 CONICAL		0	0	
070	3.002.0001	1	20	1	SCREW STEI M6X8 P.P. UNI 5923		0	0	
071	3.107.0008	0	1	1	PRESSURE GAUGE D.40 0/160 BAR1/8 G	3.107.0009	20	1	GAUGE 1/8"
072	4.006.0109	5	4	4	TAPERED 1/8 CAP		0	0	
073	5.009.0271	20	1	1	PRESSURE REGULATOR		0	0	
074	3.200.0036	1	20	1	O-RING 4X2,5 SH.70 VITON		0	0	



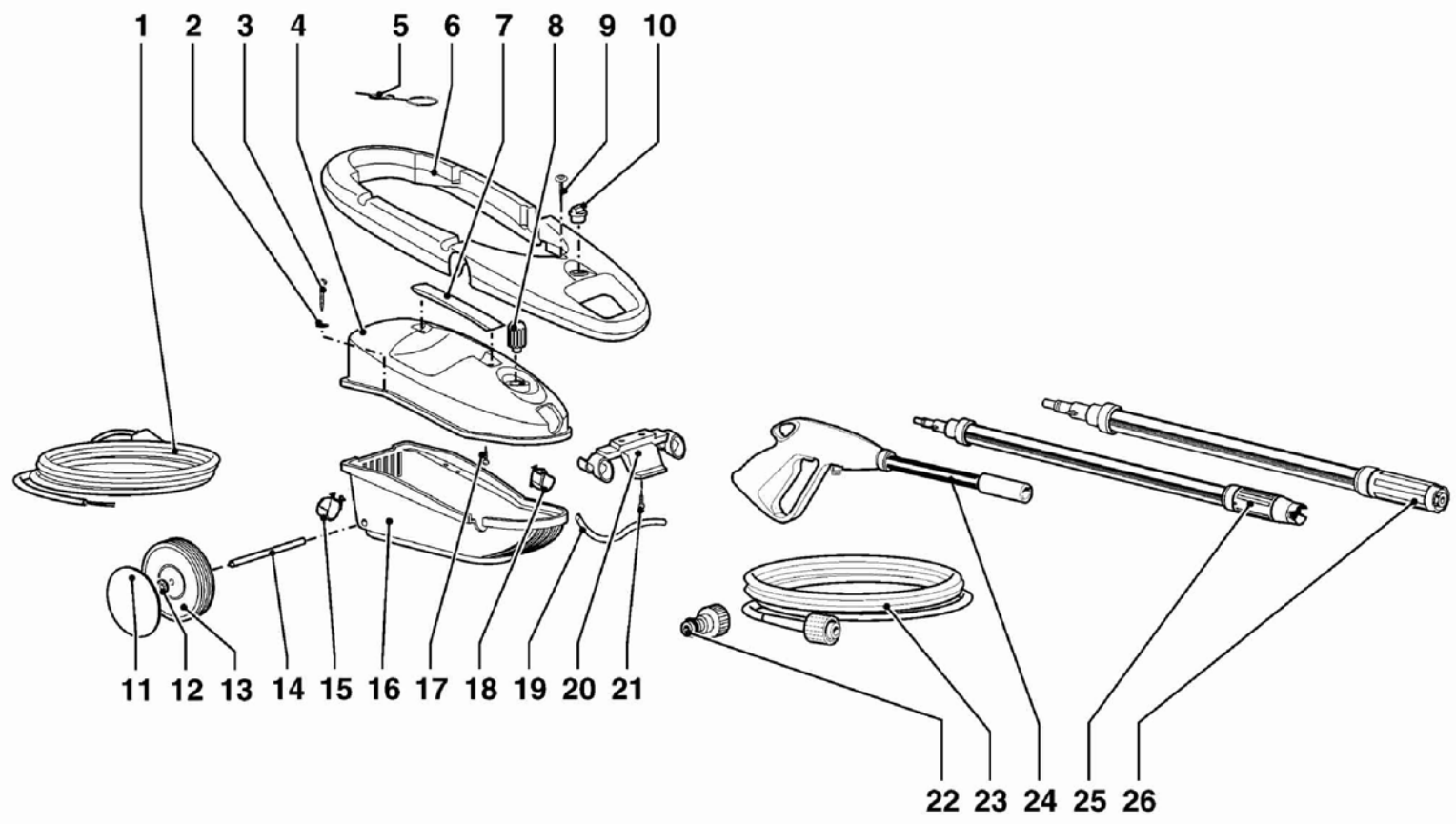
PARTS LIST

Code R50010215-1 **Start Date** 1/1/1999
Description MOTOP.OMNIA'97 230/50 H.90 **End Date** 1/1/3000
 PIA6,40 ALTA IND./ANT.TOT.STOP **Table** E50010004/01

Pos.	Code	Price	Q.ty per pck.	Qty.	Description	Alternative	Price	Q.ty per pck.	Description
075	4.606.0056	4	6	1	STOP VALVE ESP. 03	5.609.0041	10	2	NON RETURN VALVE + OR ASSEMBLY
076	4.607.0105	1	25	1	STOP VALVE SPRING D.6X20	4.007.0324	1	20	SPRING FOR CHECK VALVE WIRE D.0.5 ESP.01
077	4.006.0169	5.51	5	1	INJECTOR D.1,8 FOR ALLUMIMIUMHEAD		0	0	
078	3.200.0022	1	20	2	O-RING 9,25X1,78		0	0	
079	3.200.0026	1	20	1	O-RING GASKET 14x1,78 RIF.2056		0	0	
080	4.006.0168	20	1	1	OUTLET CONNECTION M22X15		0	0	
081	4.607.0095	2	10	1	SPRING D.8X17		0	0	
082	3.005.0002	1	25	1	BALL 11/32 INOX 420 B	3.005.0009	1	20	BALL 11/32 INOX 440C G.28
083	4.607.0098	5.08	5	1	VALVE L2 SEAL SEAT	5.609.0061	20	1	L2 VALVE SEAL SEAT INCLUSIVE OF OR
084	3.200.0013	1	20	1	O-RING 11,1X1,78		0	0	
085	4.006.0170	20	1	1	SPACER FOR SEAL SEAT		0	0	
087	4.005.0124	80.79	1	1	ALLUMINIUM HEAD		0	0	
088	3.002.0139	1	20	4	SCREW TCEI M8X35 ZNT		0	0	
089	4.006.0011	4.54	5	3	SUCTION VALVE SPACER		0	0	
095	5.008.0110	134.97	1	1	PUMP HEAD C/W COMPENSATED VALV		0	0	
097	5.006.0093	156.06	1	1	MOTOR '96 D.125 H.90 230/50 2P		0	0	
098	5.007.0049	52.02	1	1	PISTON BODY GUIDE FOR BEST MOUNTED	5.007.0137	61.22	1	PISTON BODY GUIDE D.15

Exploded drawing E8021C002/01

by LAVORWASH



0899



PARTS LIST

Code R80210031-1 **Start Date** 1/1/1999
Description IDRO KW21 230/50 -G- **End Date** 1/1/3000
 MERCATOR SLOVENIA TS **Table** E8021C002/01

Pos.	Code	Price	Q.ty per pck.	Qty.	Description	Alternative	Price	Q.ty per pck.	Description
001	4.012.0071	18.17	2	1	CABLE H05RN-F 3X1 MT.5	4.012.0149	20	1	CABLE H05VV-F 3X1 SCHUKO PLUGMT.5,4 F/F
002	3.004.0002	1	20	4	WASHER 4.3X9		0	0	
003	3.002.0112	1	20	5	CROSS HEAD -TORX SCREW 3,9x25HI-LO ZNT		0	0	
004	5.011.0035	20	1	1	YELLOW UPPER COVER SPACE PRE-ASSEMBLED		0	0	
005	4.007.0114	1	20	1	NOZZLE CLEANING PIN		0	0	
006	4.008.0276	87.27	1	1	TANK HANDLE	5.011.0073	35.26	1	ASSY HANDLE TANK +TANK CAP LMX-EAGLE
007	4.008.0284	5.3	5	1	HANDLE		0	0	
008	4.008.0281	20	1	1	ADJUSTING KNOB		0	0	
009	3.002.0129	1	25	1	SCREW 3,9X35 HI-LO	3.002.0145	1	20	SCREW 3,9X30
010	4.608.0027	6.59	4	1	CAP DIAM.30 FOR TANK FIRE 100		0	0	
011	3.099.0095	10	2	2	WHEEL STUD X SP200 -G- RAL 1018		0	0	
012	3.099.0020	10	2	2	DIAM.150 WHEEL D.15 CLIP		0	0	
013	4.008.0296	20	1	2	WHEEL D.200 MOZ.D.15		0	0	
014	4.007.0134	6.41	4	1	AXLE FOR SPACE		0	0	
015	4.008.0282	3.86	6	1	LEFT HOLDER FOR LANCE		0	0	
016	5.011.0034	31.01	1	1	PREASSEMBLED YELLOW LOWER FRAME		0	0	
017	3.002.0104	1	20	2	SCREW TC TORX P 3,9X16 ZNT		0	0	
018	4.008.0283	20	1	1	RIGHT HOLDER FOR LANCE		0	0	
019	4.008.0352	3.24	7	1	HOSE FOR DETERGENT		0	0	
020	4.008.0280	20	1	1	LANCE HOLDER FOR SPACE		0	0	
021	3.002.0128	1	20	2	SCREW TCB-TC M5X10 ZNT		0	0	
022	3.100.0005	3.03	8	1	QUICK COUPLING INLET CONNECTOR	3.100.0082	1	20	QUICK COUPLING INLET CONNECTOR
023	4.018.0028	35.9	1	1	HOSE 1/4 140BAR L.8000 1/4F-GIR.M22X1,5 D.15	4.018.0061	30	1	MT. 8 1/4 CONNECTION
024	6.001.0028	36.26	1	1	GUN S'99	6.001.0046	23	1	HP SPRAY GUN S'01
025	6.002.0191	17.51	2	1	1.10 S'99 HIGH LOW PRESS. ADJUSTABLE LANCE (GREEN)	6.002.0191C	17.51	2	LANCE S'99 1,10 HIGH/LOW (GREEN) L=47cm