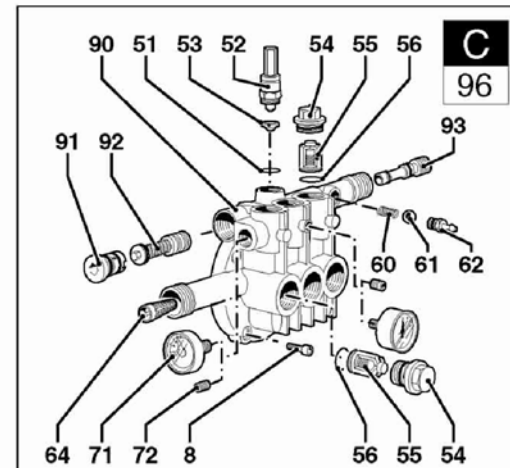
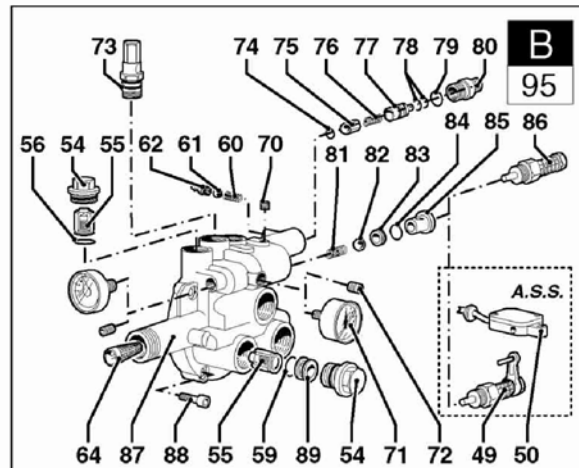
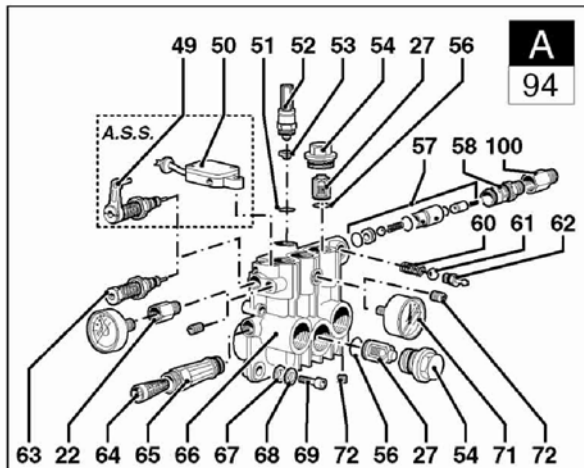
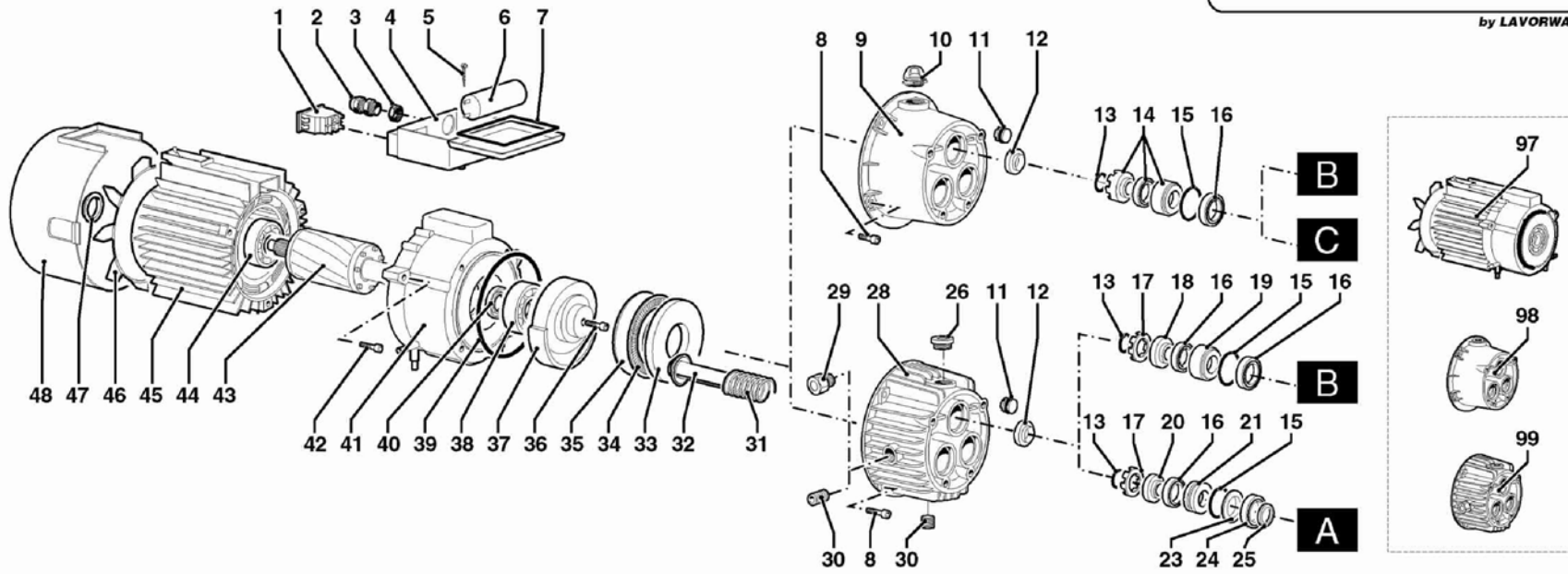


Exploded drawing cod. E50010004/01

by LAVORWASH



0799



# PARTS LIST

**Code** R50010226-2 **Start Date** 28/1/2003  
**Description** MOTOP.OMNIA'97 230/50 H110 **End Date** 1/1/3000  
 PIATT.7,20 + T.S. MAN.ANTERIORE **Table** E50010004/01

Pos.	Code	Price	Q.ty per pck.	Qty.	Description	Alternative	Price	Q.ty per pck.	Description
001	5.009.0213	10	2	1	SWITCH WITH PROTECTION 12(10)		0	0	
002	3.406.0004	1	20	1	CABLE TERMINAL PG.11		0	0	
003	3.406.0011	1	20	1	BUSHING FOR PG.11 CABLE TERMINAL		0	0	
004	4.008.0356	5.08	5	1	ELECTRICAL BOX		0	0	
005	3.002.0111	1	20	2	SCREW TC-TORX M4X10 ZNT		0	0	
006	3.404.0016	20	1	1	CAPACITOR 45 mF 450V D.50X90 ESP. 02		0	0	
007	4.008.0613	1.45	20	1	ELECTRIC-BOX SEAL		0	0	
008	3.002.0003	1.11	20	4	HEXAGON SOCKET HEAD CAP SCREWM8X25 UNI 5931 ZNT		0	0	
011	5.009.0207	10	2	1	CAP ASSY		0	0	
012	3.201.0002	5.19	6	3	O-RINGBADSLSF 15X25,4X5 /7		0	0	
013	3.200.0004	1	20	3	O-RING GASKET 12,4X1,78 REF.2050		0	0	
015	3.200.0003	1	20	3	O-RING GASKET 25,12X1,78 REF.2100		0	0	
016	3.201.0003	3.5	6	6	WATER SEALING RING N.15X22X4		0	0	
017	4.008.0391	1	20	3	OIL SEAL SPACER		0	0	
018	4.006.0108	6.75	3	3	BRASS COVER FOR WATER SEALING		0	0	
019	4.006.0107	6.81	3	3	BRASS BUSH WATER SEALING		0	0	
026	5.009.0159	6.75	3	1	OIL CAP WITH O-RING 3/8G		0	0	
028	4.005.0184	48.67	1	1	BEST BODY GUIDE WITH WINGS '01ESP.03		0	0	
029	3.099.0003	2.5	10	1	OIL LEVEL INDICATOR SLNS-3/8 HOBBY		0	0	
030	3.002.0004	1	20	1	SCREW STEI 3/8 G.DIN 906 (OILLOAD CAP)		0	0	
031	4.007.0011	6.67	3	3	PISTON RECALL SPRING D.15 30L.42		0	0	
032	5.009.0086	7.79	3	3	PISTON ASSY		0	0	
033	4.007.0001	20	1	1	THRUST SHOE D.65 (C10Pb) FINISHED		0	0	
034	3.001.0025	2.27	10	1	NEEDLE-ROLLER CAGE		0	0	
035	3.001.0003	2	10	1	DISK AS 4565		0	0	

# PARTS LIST

Code R50010226-2 Start Date 28/1/2003  
 Description MOTOP.OMNIA'97 230/50 H110 End Date 1/1/3000  
 PIATT.7,20 + T.S. MAN.ANTERIORE Table E50010004/01

Pos.	Code	Price	Q.ty per pck.	Qty.	Description	Alternative	Price	Q.ty per pck.	Description
036	3.002.0011	1.14	20	1	SCREW TCEI M8X22 UNI 5931 ZNT		0	0	
037	4.005.0005	20	1	1	DIE CASTED PLATE G.7.15'		0	0	
038	3.001.0002	10	2	1	BALL OBLIQUE		0	0	
039	3.200.0002	1	20	1	O-RING GASKET 90X2,5		0	0	
040	3.201.0001	1	20	1	OIL SEAL 20/35/6/6,5 BABSL		0	0	
041	4.005.0100	25.74	1	1	FRONT FLANGE 125 '96 H110	5.009.0168	24.87	1	FRONT MOTOR FLANGE '96 125 ALTA BEST PACCO
042	3.002.0115	1	20	3	SCREW TC M5X35 SWAGEFORM ZNT		0	0	
043	5.005.0029	47.92	1	1	ROTOR SHAFT 125'96 TAPERED H.110 230/50		0	0	
044	3.001.0020	10	2	1	RADIAL FOR POSTERIOR FLANGE 17X40X12 6203 2RS		0	0	
045	5.002.0121	166.02	1	1	FRAME '96 D125 H110 230/50 2P2800W	5.002.0127	140.32	1	MOTOR CASING '96 D125 H110 230/50 2P 2800W
046	4.008.0092	20	1	1	FAN FB80 WITH HOLE D.16,5 (PARTNER)		0	0	
047	3.099.0049	10	2	1	LOCKING RING D.23 FAN FB80		0	0	
048	4.008.0583	10	2	1	MOTOR FAN COVER '96 WITHOUT GRILL		0	0	
049	5.009.0277	22.39	2	1	COMPENSATED VALVE ADJUSTING PIN+O-RING ASSEMBLY	6.005.0078	25	1	KIT 78 LW
050	5.009.0274	22.39	2	1	ELECT.BOX+MICRO SWITCH+CABLE FOR TS TOP BEST	5.009.0283	20	1	MICRO+CABLE ASSEMBLY X TS COMPENSATED
054	5.009.0101	6.75	3	5	CAP VALVE SUCTION DELIVERY-ORMOUNTED		0	0	
055	5.009.0005	6.75	3	6	DELIVERY SUCTION VALVE LAVOR 1		0	0	
056	3.200.0019	1	20	3	O-RING 12,4X1,78 SH.90		0	0	
059	3.200.0012	1	20	3	OR 10,78X2,62 RIF.3043		0	0	
060	4.007.0014	1	20	1	DETERG.STOP VALVE SPRING 4X8 ESP.3		0	0	
061	3.005.0001	1	20	1	BALL INOX 420 DIAM.5 DEGREE OFACCURACY G 500		0	0	
062	5.009.0164	4.84	5	1	DETERG.INJECT.HOSE FITTING	6.005.0030	14.5	2	KIT 28 LAVOR DETERGENT'S SUCTION
064	4.008.0031	1	20	1	INLET WATER FILTER H2O D.16 CONICAL		0	0	
070	3.002.0001	1	20	1	SCREW STEI M6X8 P.P. UNI 5923		0	0	
071	3.107.0009	20	1	1	GAUGE 1/8"		0	0	

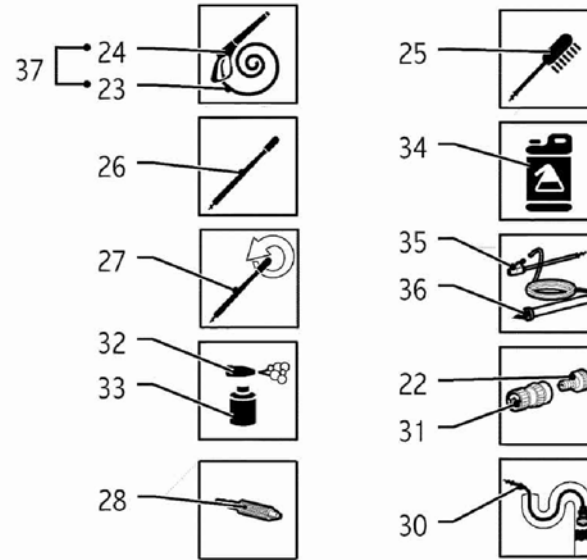
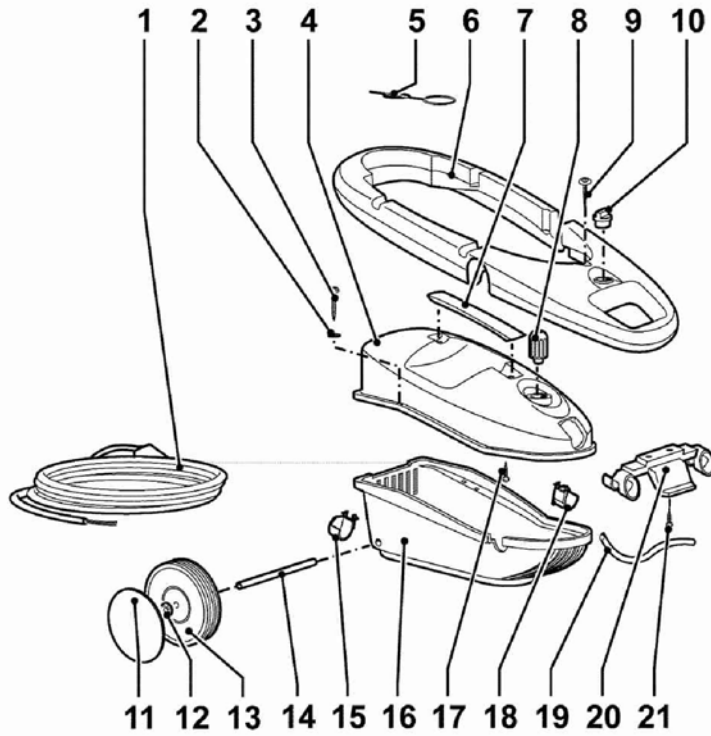
# PARTS LIST

Code R50010226-2 Start Date 28/1/2003  
 Description MOTOP.OMNIA'97 230/50 H110 End Date 1/1/3000  
 PIATT.7,20 + T.S. MAN.ANTERIORE Table E50010004/01

Pos.	Code	Price	Q.ty per pck.	Qty.	Description	Alternative	Price	Q.ty per pck.	Description
072	4.006.0109	5	4	4	TAPERED 1/8 CAP		0	0	
073	5.009.0271	20	1	1	PRESSURE REGULATOR		0	0	
074	3.200.0036	1	20	1	O-RING 4X2,5 SH.70 VITON		0	0	
075	4.606.0056	4	6	1	STOP VALVE ESP. 03	5.609.0041	10	2	NON RETURN VALVE + OR ASSEMBLY
076	4.607.0105	1	25	1	STOP VALVE SPRING D.6X20	4.007.0324	1	20	SPRING FOR CHECK VALVE WIRE D.0.5 ESP.01
077	4.006.0172	20	1	1	INJECTOR DIAMETER 2X OMNIA 97		0	0	
078	3.200.0022	1	20	2	O-RING 9,25X1,78		0	0	
079	3.200.0070	1	20	1	O-RING 14X2		0	0	
080	4.006.0168	20	1	1	OUTLET CONNECTION M22X15		0	0	
081	4.607.0095	2	10	1	SPRING D.8X17		0	0	
082	3.005.0002	1	25	1	BALL 11/32 INOX 420 B	3.005.0009	1	20	BALL 11/32 INOX 440C G.28
083	4.607.0098	5.08	5	1	VALVE L2 SEAL SEAT	5.609.0061	20	1	L2 VALVE SEAL SEAT INCLUSIVE OF OR
084	3.200.0071	1	20	1	OR GASKET 11,1X1,78 SH 90		0	0	
085	4.006.0170	20	1	1	SPACER FOR SEAL SEAT		0	0	
087	4.005.0124	80.79	1	1	ALLUMINIUM HEAD		0	0	
088	3.002.0139	1	20	4	SCREW TCEI M8X35 ZNT		0	0	
089	4.006.0011	4.54	5	3	SUCTION VALVE SPACER		0	0	
095	5.008.0107	182.55	1	1	PUMP HEAD C/W COMP.VALVE,FRONTPRESS.GAUGE X T.S.	5.008.0108	165.23	1	TESTATA OMNIA'97 VALV.COMP.MANOM.LATER. X
097	5.006.0094	202.02	1	1	MOTOR D.125 H.110 230/50 2P		0	0	
099	5.007.0008	71.32	1	1	PIST. BOBY GUIDE BEST'01		0	0	

**Exploded drawing E8021C005/01**

by LAVORWASH





# PARTS LIST

**Code** R80210614-1 **Start Date** 28/1/2003  
**Description** IDRO KW24 230/50 -G- TS -EU- (MERCATOR) **End Date** 1/1/3000  
**Table** E8021C005/01

Pos.	Code	Price	Q.ty per pck.	Qty.	Description	Alternative	Price	Q.ty per pck.	Description
001	4.012.0150	20	1	1	CABLE H05VV-F 3X1.5 MT.5.2 F/FSCHUKO PLUG ESP.00		0	0	
003	3.002.0145	1	20	5	SCREW 3,9X30		0	0	
004	5.011.0035	20	1	1	YELLOW UPPER COVER SPACE PRE-ASSEMBLED		0	0	
005	4.007.0114	1	20	1	NOZZLE CLEANING PIN		0	0	
006	4.008.0276	87.27	1	1	TANK HANDLE	5.011.0073	35.26	1	ASSY HANDLE TANK +TANK CAP LMX-EAGLE
007	4.008.0284	5.3	5	1	HANDLE		0	0	
008	4.008.0281	20	1	1	ADJUSTING KNOB		0	0	
009	3.002.0129	1	25	1	SCREW 3,9X35 HI-LO	3.002.0145	1	20	SCREW 3,9X30
010	4.608.0027	6.59	4	1	CAP DIAM.30 FOR TANK FIRE 100		0	0	
011	3.099.0095	10	2	2	WHEEL STUD X SP200 -G- RAL 1018		0	0	
012	3.099.0020	10	2	2	DIAM.150 WHEEL D.15 CLIP		0	0	
013	4.008.0296	20	1	2	WHEEL D.200 MOZ.D.15		0	0	
014	4.007.0134	6.41	4	1	AXLE FOR SPACE		0	0	
015	4.008.0282	3.86	6	1	LEFT HOLDER FOR LANCE		0	0	
016	5.011.0034	31.01	1	1	PREASSEMBLED YELLOW LOWER FRAME		0	0	
017	3.002.0104	1	20	2	SCREW TC TORX P 3,9X16 ZNT		0	0	
018	4.008.0283	20	1	1	RIGHT HOLDER FOR LANCE		0	0	
019	4.008.0444	3.35	7	1	DETERGENT TRANSPARENT PIPE 6X9L.340mm		0	0	
020	4.008.0280	20	1	1	LANCE HOLDER FOR SPACE		0	0	
021	3.002.0128	1	20	2	SCREW TCB-TC M5X10 ZNT		0	0	
022	3.100.X005	0	1	1	QUICK COUPLING 3/4 BLACK WITHGASKET	3.100.0005	3.03	8	QUICK COUPLING INLET CONNECTOR
023	4.018.0061	30	1	1	MT. 8 1/4 CONNECTION		0	0	
024	6.001.0038	36.57	1	1	S'99 GUN METAL EXTENSION	6.001.0066	36.57	1	GUN S'01
026	6.002.0186	33.48	1	1	LANCE SY'99 1,20		0	0	