



PARTS LIST

Code R50010366-1 **Start Date** 1/3/2001
Description MOTOP.PARTNER 110h90 230/50 **End Date** 1/1/3000
 TS6'30 (VERSIONE'01) **Table** E50010001-02

Pos.	Code	Price	Q.ty per pck.	Qty.	Description	Alternative	Price	Q.ty per pck.	Description
000	5.001.0184	0	1	1	MOTOPOMPA PARTNER'96 230/50 D.125x80 S/M T.S.	5.001.0299	0	1	MOTOPOMPA PARTNER'99 230/50 D.110x90 S/M
001	5.009.0213	10	2	1	SWITCH WITH PROTECTION 12(10)		0	0	
002	3.406.0004	1	20	1	CABLE TERMINAL PG.11		0	0	
003	4.008.0354	5.3	5	1	ELECT.BOX PART'96 WITH SWITCHFRAME	4.008.0897	20	1	ELECTRICAL BOX PT'96 X TS ESP.00
004	3.002.0111	1	20	2	SCREW TC-TORX M4X10 ZNT		0	0	
005	3.404.0022	20	1	1	CAPACITOR 30mF 450V.		0	0	
006	4.008.0098	0	1	1	PARTNER ELECTRIC BOX GASKET ESP2	4.008.0613	1.45	20	ELECTRIC-BOX SEAL
007	4.008.0236	20	1	1	FAN COVER FOR MOTOR '96		0	0	
008	3.099.0049	10	2	1	LOCKING RING D.23 FAN FB80		0	0	
009	4.008.0092	20	1	1	FAN FB80 WITH HOLE D.16,5 (PARTNER)		0	0	
010	5.002.0089	71.94	1	1	MOTOR FRAME '96 D.110 H90 230/50 2P		0	0	
011	3.001.0020	10	2	1	RADIAL FOR POSTERIOR FLANGE 17X40X12 6203 2RS		0	0	
012	5.005.0034	28.02	1	1	MOTOR CRANKSHAFT 110'97 D.55 H.90 ESP. 01		0	0	
013	3.002.0115	1	20	3	SCREW TC M5X35 SWAGEFORM ZNT		0	0	
014	4.005.0099	18.87	2	1	FRONT FLANGE FOR MOTOR 110'96	5.009.0166	20	1	FRONT MOTOR FLANGE 110X5 5H.80'96
015	3.201.0008	4.96	6	1	OIL SEALING RING D. 17X35X7		0	0	
016	3.001.0017	6.38	4	1	BALLS RIGID RADIAL BEARING 6303	3.001.0030	20.58	1	RADIAL
017	4.005.0173	8.65	3	1	PLATE 6'30 CYLINDRIC HOLE		0	0	
018	3.001.0003	2	10	1	DISK AS 4565		0	0	
019	3.001.0004	4.43	6	1	NEEDLE ROLLER CAGE MOD. AXK4565	3.001.0025	2.27	10	NEEDLE-ROLLER CAGE
020	4.007.0001	20	1	1	THRUST SHOE D.65 (C10Pb) FINISHED		0	0	
021	5.009.0090	10.28	3	3	ASSEMBL.BOLT/PISTON D.14 RETIFIED		0	0	
022	3.200.0014	1	20	1	O-RING GASKET 85X2,5 NITRILIC		0	0	
023	4.007.0025	1	20	3	PISTON RECALL SPRING D.14 ESP.01		0	0	
049	3.200.0013	1	20	3	O-RING 11,1X1,78		0	0	



PARTS LIST

Code R50010366-1 **Start Date** 1/3/2001
Description MOTOP.PARTNER 110h90 230/50 **End Date** 1/1/3000
 TS6'30 (VERSIONE'01) **Table** E50010001-02

Pos.	Code	Price	Q.ty per pck.	Qty.	Description	Alternative	Price	Q.ty per pck.	Description
050	3.201.0004	5.95	6	3	OIL SEALING RING DIAM.14X22X5/7		0	0	
051	3.002.0094	1	20	2	SCREW TCEI M6X30 ZNT		0	0	
053	4.006.0109	5	4	1	TAPERED 1/8 CAP		0	0	
054	3.200.0018	1	20	1	OR-RING GASKET 9.92X2.62 SHORE90		0	0	
055	3.200.0019	1	20	3	O-RING 12,4X1,78 SH.90		0	0	
056	5.009.0101	6.75	3	3	CAP VALVE SUCTION DELIVERY-ORMOUNTED		0	0	
057	5.009.0005	6.75	3	3	DELIVERY SUCTION VALVE LAVOR 1		0	0	
058	4.008.0031	1	20	1	INLET WATER FILTER H2O D.16 CONICAL		0	0	
062	4.008.0348	1	20	3	OIL SEAL SPACER		0	0	
063	4.006.0036	6.75	3	3	SEALING HOLDER RING D.14 ESP.07		0	0	
065	3.201.0009	3.5	6	3	WATER SEAL N 14-12 D.14x22x6		0	0	
066	5.009.0015	4	6	3	COMPLETE SUCTION VALVE		0	0	
067	4.005.0077	16.77	2	1	MANIFOLD PARTNER'93 DEEP SEATSESP.01	4.005.0156	20.65	1	MANIFOLD PARTNER'93 DEEP SEATS
068	3.002.0093	0	1	4	SCREW TCEI M6X70 ZNT SWAGEFORM	4.007.0229	1	20	HEXAGON SOCKET HEAD CAP SCREWWITH
069	5.009.0253	10.92	3	1	MICRO CABLE FOR TOTAL STOP	5.009.0516	20	1	MICRO ASSY+CABLE TS MACH USA/EU ESP.00
070	5.009.0254	6.75	3	1	CAP+OR TOTAL STOP VALVE ASSY		0	0	
071	4.008.0341	4	5	1	HOLDER A.S.S. ESP.01		0	0	
072	4.007.0146	2.49	10	1	VALVE		0	0	
073	4.007.0147	2	10	1	VALVE		0	0	
076	5.009.0255	0	1	1	VALVE D.1,9 FOR TOTAL STOP ASSY	5.009.0360	10.5	2	VALVE ASSEMBLY D.2,7 FOR TS OR5,28X1,78 (AK)
081	4.005.0162	18.82	2	1	PISTON BODY GUIDE	4.005.0171	20.01	1	BODY GUIDE D.14
082	5.007.0073	39.36	1	1	PISTON BODY GUIDE		0	0	
083	5.008.0048	31.04	1	1	PARTENR HEAD '93 WITHOUT INDICATOR		0	0	
085	5.006.0121	121.89	1	1	MOTOR D.110 H.90 230/50		0	0	
086	3.200.0021	1	20	1	OR GASKET 6,75x1,78 RIF.106		0	0	

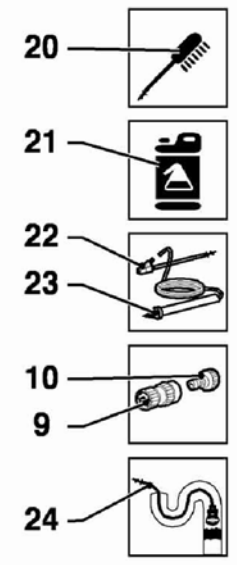
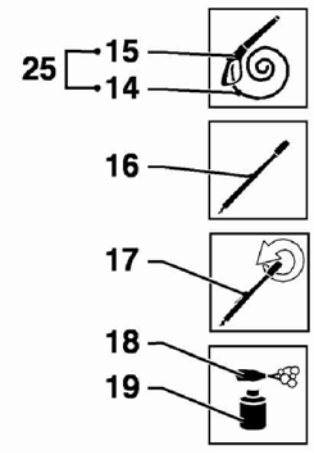
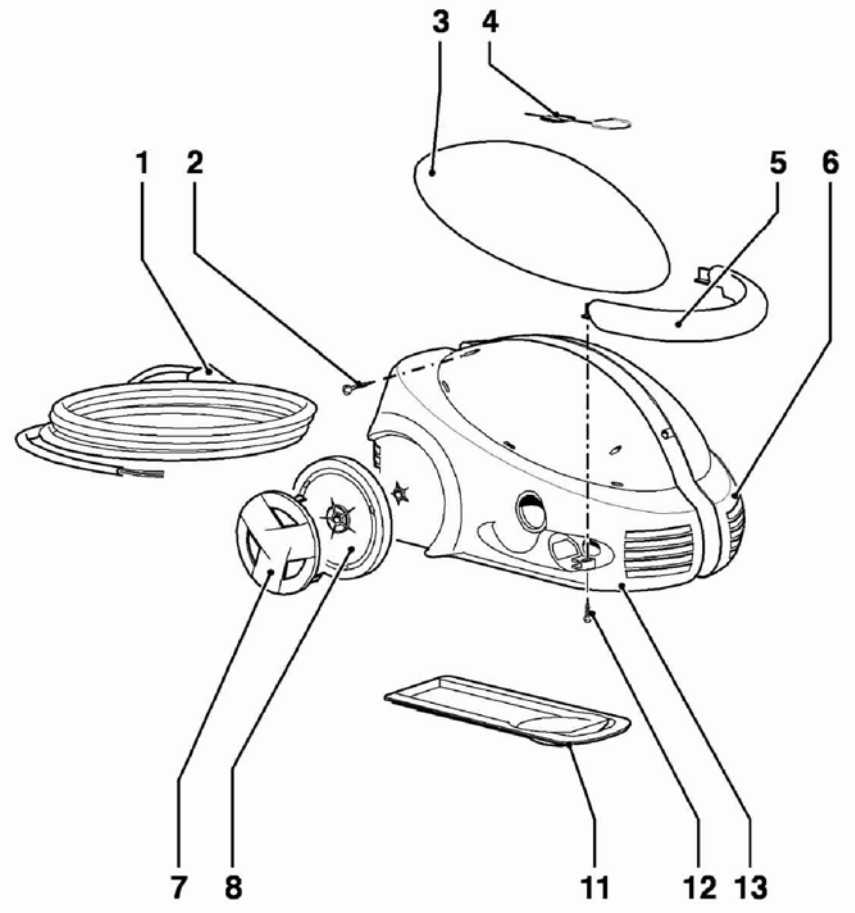
PARTS LIST

Code R50010366-1 *Start Date* 1/3/2001
Description MOTOP.PARTNER 110h90 230/50 *End Date* 1/1/3000
TS6'30 (VERSIONE'01) *Table* E50010001-02

Pos.	Code	Price	Q.ty per pck.	Qty.	Description	Alternative	Price	Q.ty per pck.	Description
087	3.406.0011	1	20	1	BUSHING FOR PG.11 CABLE TERMINAL		0	0	

Exploded drawing E8026C001/01

by LAVORWASH





PARTS LIST

Code R80260051-1 **Start Date** 1/3/2001
Description IDRO EQ18 230/50 -V- TS **End Date** 1/1/3000
(MERCATOR) **Table** E8026C001/01

Pos.	Code	Price	Q.ty per pck.	Qty.	Description	Alternative	Price	Q.ty per pck.	Description
001	4.012.0035	20.01	2	1	CAVO H07RN-F 3X1 MT.5 FAST-OC.SP.SCHUKO ESP.01	4.012.0150	20	1	CABLE H05VV-F 3X1.5 MT.5.2 F/FSCHUKO PLUG
002	3.002.0112	1	20	5	CROSS HEAD -TORX SCREW 3,9x25HI-LO ZNT		0	0	
003	4.008.0392	20	1	1	YELLOW COVER FOR EQ		0	0	
004	4.007.0114	1	20	1	NOZZLE CLEANING PIN		0	0	
005	4.008.0351	20	1	1	HANDLE		0	0	
006	4.013.0233	20	1	1	GREEN COVER EQ		0	0	
007	4.008.0317	10	2	2	YELLOW WHEEL COVER		0	0	
008	4.008.0316	10	2	2	WHEEL		0	0	
010	3.100.0005	3.03	8	1	QUICK COUPLING INLET CONNECTOR	3.100.0082	1	20	QUICK COUPLING INLET CONNECTOR
011	4.008.0353	6.49	4	1	HANDLE		0	0	
012	5.012.0038	2.44	10	1	SCREWS FOR HANDLE EQ/POWER		0	0	
013	4.013.0232	20	1	1	INLET GREEN COVER EQ (RAL 5020)		0	0	
014	4.X18.0010	20.55	2	1	HOSE 1/4 130 BAR L.6000 1/4F(MARKED MAC	4.018.0010	20.55	2	HOSE 1/4 140 BAR L.6000 1/4F+D.15 PLAST
015	6.001.0029	35.23	1	1	COMPLETE S96 GUN WITH BRASS CONNECTION	6.001.0046	23	1	HP SPRAY GUN S'01
016	6.002.0104	10.41	3	1	S93 LANCE D.1.05 GREY-REINFORCED	6.002.0209	16.89	2	LANCE S'99 1,05 FIXED
018	5.011.0033	10	2	1	REINFORCED FOAM LANCE		0	0	
019	3.601.0002	1.02	20	1	YELLOW ANONYM.TANK DETERGENT FOR FOAM LANCE		0	0	