



PARTS LIST

Code R50010420-1 **Start Date** 5/8/2002
Description MOTOPOMPA PT 230/50 D.12 **End Date** 1/1/3000
 125H110 INIETT. TS S/REGOL. **Table** E50010001/04

| Pos. | Code | Price | Q.ty per pck. | Qty. | Description | Alternative | Price | Q.ty per pck. | Description |
|------|------------|--------|---------------|------|----------------------------------------------------|-------------|--------|---------------|--------------------------------------------|
| 001 | 5.009.0213 | 10 | 2 | 1 | SWITCH WITH PROTECTION 12(10) | | 0 | 0 | |
| 002 | 3.406.0004 | 1 | 20 | 1 | CABLE TERMINAL PG.11 | | 0 | 0 | |
| 004 | 3.002.0135 | 1 | 20 | 2 | SELF-TAPPING SCREW TC-TC 2.9X13 UNI 6 954 ZNT | | 0 | 0 | |
| 005 | 3.404.0016 | 20 | 1 | 1 | CAPACITOR 45 mF 450V D.50X90 ESP. 02 | | 0 | 0 | |
| 006 | 4.008.0768 | 5.3 | 5 | 1 | GASKET FOR ELECTRICAL BOX X HWSP.5MM MOUSSE RUBBER | | 0 | 0 | |
| 007 | 4.008.0583 | 10 | 2 | 1 | MOTOR FAN COVER '96 WITHOUT GRILL | | 0 | 0 | |
| 008 | 3.099.0049 | 10 | 2 | 1 | LOCKING RING D.23 FAN FB80 | | 0 | 0 | |
| 009 | 4.008.0092 | 20 | 1 | 1 | FAN FB80 WITH HOLE D.16,5 (PARTNER) | | 0 | 0 | |
| 010 | 5.002.0121 | 166.02 | 1 | 1 | FRAME '96 D125 H110 230/50 2P2800W | 5.002.0127 | 140.32 | 1 | MOTOR CASING '96 D125 H110 230/50 2P 2800W |
| 011 | 3.001.0020 | 10 | 2 | 1 | RADIAL FOR POSTERIOR FLANGE 17X40X12 6203 2RS | | 0 | 0 | |
| 012 | 5.005.0029 | 47.92 | 1 | 1 | ROTOR SHAFT 125'96 TAPERED H.110 230/50 | | 0 | 0 | |
| 013 | 3.002.0115 | 1 | 20 | 3 | SCREW TC M5X35 SWAGEFORM ZNT | | 0 | 0 | |
| 014 | 4.005.0183 | 0 | 1 | 1 | FRONT FLANGE MOTOR D.125 H.110FOR PARTNER | 5.009.0395 | 33.98 | 1 | FRONT FLANGE FOR PARTNER PACCOH110 |
| 015 | 3.201.0001 | 1 | 20 | 1 | OIL SEAL 20/35/6/6,5 BABS L | | 0 | 0 | |
| 016 | 3.001.0031 | 20 | 1 | 1 | ANTERIOR RADIAL FOR CASING 20X52X15 - 6304 | | 0 | 0 | |
| 017 | 4.005.0125 | 20 | 1 | 1 | CONIC PLATE | | 0 | 0 | |
| 018 | 3.001.0003 | 2 | 10 | 1 | DISK AS 4565 | | 0 | 0 | |
| 019 | 3.001.0025 | 2.27 | 10 | 1 | NEEDLE-ROLLER CAGE | | 0 | 0 | |
| 020 | 4.007.0001 | 20 | 1 | 1 | THRUST SHOE D.65 (C10Pb) FINISHED | | 0 | 0 | |
| 021 | 5.009.0452 | 6.75 | 3 | 3 | ASSEMBLY PISTON/RETAINER D.12 | | 0 | 0 | |
| 022 | 3.200.0014 | 1 | 20 | 1 | O-RING GASKET 85X2,5 NITRILIC | | 0 | 0 | |
| 023 | 4.007.0025 | 1 | 20 | 3 | PISTON RECALL SPRING D.14 ESP.01 | | 0 | 0 | |
| 030 | 5.009.0277 | 22.39 | 2 | 1 | COMPENSATED VALVE ADJUSTING PIN+O-RING ASSEMBLY | 6.005.0078 | 25 | 1 | KIT 78 LW |
| 031 | 5.009.0488 | 15.36 | 2 | 1 | MICRO ASSY +CABLE FOR TS CALVE | 5.009.0283 | 20 | 1 | MICRO+CABLE ASSEMBLY X TS COMPENSATED |
| 032 | 4.006.0170 | 20 | 1 | 1 | SPACER FOR SEAL SEAT | | 0 | 0 | |



PARTS LIST

Code R50010420-1 **Start Date** 5/8/2002
Description MOTOPOMPA PT 230/50 D.12 **End Date** 1/1/3000
 125H110 INIETT. TS S/REGOL. **Table** E50010001/04

| Pos. | Code | Price | Q.ty per pck. | Qty. | Description | Alternative | Price | Q.ty per pck. | Description |
|------|------------|-------|---------------|------|-----------------------------------------------|-------------|-------|---------------|------------------------------------------|
| 033 | 5.609.0061 | 20 | 1 | 1 | L2 VALVE SEAL SEAT INCLUSIVE OF OR | | 0 | 0 | |
| 035 | 3.005.0002 | 1 | 25 | 1 | BALL 11/32 INOX 420 B | 3.005.0009 | 1 | 20 | BALL 11/32 INOX 440C G.28 |
| 036 | 4.607.0095 | 2 | 10 | 1 | SPRING D.8X17 | | 0 | 0 | |
| 041 | 5.009.0164 | 4.84 | 5 | 1 | DETERG.INJECT.HOSE FITTING | 6.005.0030 | 14.5 | 2 | KIT 28 LAVOR DETERGENT'S SUCTION |
| 042 | 3.005.0001 | 1 | 20 | 1 | BALL INOX 420 DIAM.5 DEGREE OFACCURACY G 500 | | 0 | 0 | |
| 043 | 4.007.0014 | 1 | 20 | 1 | DETERG.STOP VALVE SPRING 4X8 ESP.3 | | 0 | 0 | |
| 044 | 4.005.0207 | 46.66 | 1 | 1 | BODY GUIDE D.12 X COMPENSATE VALVE | | 0 | 0 | |
| 045 | 5.609.0041 | 10 | 2 | 1 | NON RETURN VALVE + OR ASSEMBLY | | 0 | 0 | |
| 046 | 4.607.0105 | 1 | 25 | 1 | STOP VALVE SPRING D.6X20 | 4.007.0324 | 1 | 20 | SPRING FOR CHECK VALVE WIRE D.0.5 ESP.01 |
| 047 | 5.009.0334 | 20 | 1 | 1 | INJECTOR COUPLING D1.8 FOR ALLUM.HEAD WITH OR | | 0 | 0 | |
| 048 | 5.009.0333 | 10 | 2 | 1 | OUTLET COUPLING M22X1.5 COMPLETE OF OR | | 0 | 0 | |
| 049 | 3.200.0013 | 1 | 20 | 3 | O-RING 11,1X1,78 | | 0 | 0 | |
| 050 | 3.201.0014 | 3.63 | 6 | 3 | OIL SEAL RING D.12X20X5/7 | | 0 | 0 | |
| 051 | 3.002.0094 | 1 | 20 | 2 | SCREW TCEI M6X30 ZNT | | 0 | 0 | |
| 053 | 4.006.0109 | 5 | 4 | 1 | TAPERED 1/8 CAP | | 0 | 0 | |
| 054 | 3.200.0018 | 1 | 20 | 1 | OR-RING GASKET 9.92X2.62 SHORE90 | | 0 | 0 | |
| 055 | 3.200.0019 | 1 | 20 | 3 | O-RING 12,4X1,78 SH.90 | | 0 | 0 | |
| 056 | 5.009.0101 | 6.75 | 3 | 3 | CAP VALVE SUCTION DELIVERY-ORMOUNTED | | 0 | 0 | |
| 057 | 5.009.0005 | 6.75 | 3 | 3 | DELIVERY SUCTION VALVE LAVOR 1 | | 0 | 0 | |
| 058 | 4.008.0031 | 1 | 20 | 1 | INLET WATER FILTER H2O D.16 CONICAL | | 0 | 0 | |
| 062 | 4.008.0657 | 1 | 20 | 3 | OIL SPACER D.12 REV.02 | | 0 | 0 | |
| 063 | 4.006.0251 | 6.75 | 3 | 3 | PIECE FOR SUPPORT PARTNER D.12 | | 0 | 0 | |
| 064 | 4.008.0695 | 1 | 20 | 3 | ANTI-EXTRUSION RING FOR PARTNER D.12 | | 0 | 0 | |
| 065 | 3.201.0020 | 2.25 | 9 | 3 | WATER SEAL 12X18X5 | | 0 | 0 | |
| 066 | 5.009.0015 | 4 | 6 | 3 | COMPLETE SUCTION VALVE | | 0 | 0 | |

PARTS LIST

Code R50010420-1

Start Date 5/8/2002

Description MOTOPOMPA PT 230/50 D.12
125H110 INIETT. TS S/REGOL.

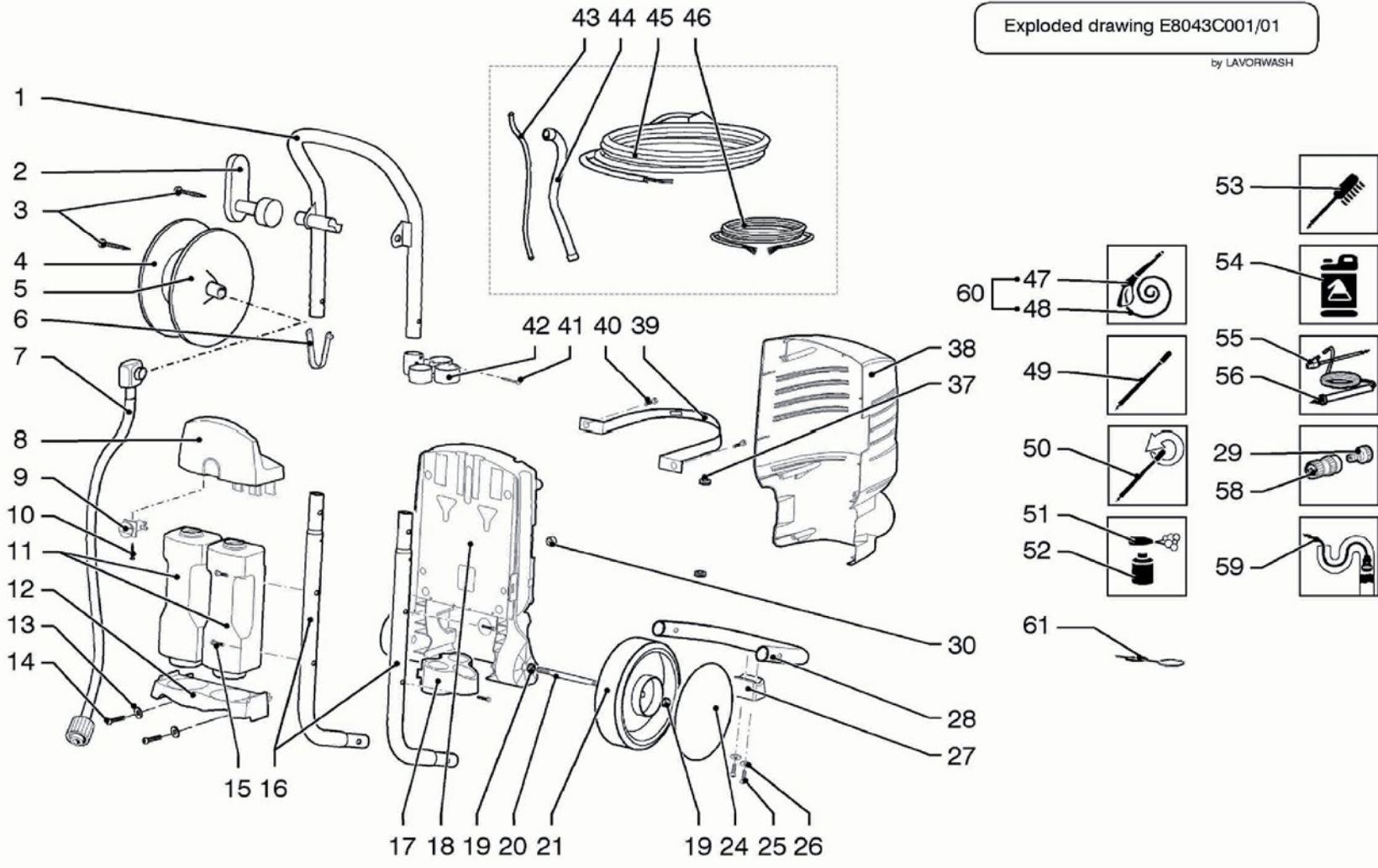
End Date 1/1/3000

Table E50010001/04

| Pos. | Code | Price | Q.ty per pck. | Qty. | Description | Alternative | Price | Q.ty per pck. | Description |
|------|------------|-------|---------------|------|-------------------------------------------------------|-------------|-------|---------------|-------------------|
| 067 | 4.005.0187 | 15.53 | 2 | 1 | PARTNER HEAD '01 FOR PISTONS DIAM. 12 | 5.008.0160 | 28.01 | 1 | PARTNER HEAD D.12 |
| 068 | 3.002.0130 | 1 | 20 | 4 | HEXAGON SOCKET HEAD CAP SCREWM6X70 CL.12,9 UNI5931 | | 0 | 0 | |
| 083 | 5.008.0160 | 28.01 | 1 | 1 | PARTNER HEAD D.12 | | 0 | 0 | |
| 084 | 5.007.0148 | 84.36 | 1 | 1 | PISTON BODY GUIDE D.12 + INIETT.D.1,8 V/COMP S/REG.TS | | 0 | 0 | |
| 085 | 5.006.0157 | 208.3 | 1 | 1 | MOTOR'99 D.125 H110 230/50 2PX PT. | | 0 | 0 | |
| 087 | 3.406.0011 | 1 | 20 | 1 | BUSHING FOR PG.11 CABLE TERMINAL | | 0 | 0 | |
| 090 | 4.008.0728 | 20 | 1 | 1 | COVER FOR ELECTRICAL BOX HW ESP.00 | | 0 | 0 | |
| 091 | 4.008.0726 | 10.92 | 3 | 1 | ELECTRICAL BOX 2600 W HW ESP.01 | | 0 | 0 | |

Exploded drawing E8043C001/01

by LAVORWASH



0602



PARTS LIST

Code R80430003-2 **Start Date** 1/7/2003
Description IDRO HW24 230/50 -G- TS -EU- **End Date** 1/1/3000
 S/AVV. +ROTOX +SPAZZ.ROT. **Table** E8043C001-01

| Pos. | Code | Price | Q.ty per pck. | Qty. | Description | Alternative | Price | Q.ty per pck. | Description |
|------|------------|-------|---------------|------|--------------------------------------------------|-------------|-------|---------------|-------------|
| 001 | 4.007.0272 | 27.04 | 1 | 1 | UPPER TUBE HANDLE HWESP.00 | | 0 | 0 | |
| 006 | 4.007.0277 | 10 | 2 | 2 | SPRING HOSE HOLDER FOR HANDLEHW | | 0 | 0 | |
| 008 | 4.008.0724 | 20 | 1 | 1 | UPPER SUPPORT X HW TANKS | | 0 | 0 | |
| 009 | 3.105.0006 | 8.65 | 3 | 1 | 3 WAYS FAUCET YELLOW | | 0 | 0 | |
| 011 | 4.008.0725 | 20 | 1 | 2 | DETERGENT TANK | | 0 | 0 | |
| 012 | 4.008.0723 | 8.17 | 3 | 1 | BOTTOM SUPPORT X HW TANKS | | 0 | 0 | |
| 016 | 5.011.0068 | 20 | 1 | 2 | LATERAL HOSE X HW | | 0 | 0 | |
| 017 | 4.008.0731 | 20 | 1 | 1 | LOWER LANCE HOLDER HW | | 0 | 0 | |
| 018 | 4.008.0722 | 22.06 | 1 | 1 | PUMP SUPPORT X HW | | 0 | 0 | |
| 019 | 3.003.0017 | 1 | 20 | 4 | NUT 982 ZNT | | 0 | 0 | |
| 020 | 4.007.0276 | 10 | 2 | 2 | WHEEL PIVOT M8 D.12 X HW ESP.00 | | 0 | 0 | |
| 021 | 3.006.0033 | 11.9 | 2 | 2 | WHEEL D 200 HOLE 12 HW | | 0 | 0 | |
| 024 | 3.099.0095 | 10 | 2 | 2 | WHEEL STUD X SP200 -G- RAL 1018 | | 0 | 0 | |
| 027 | 4.008.0730 | 20 | 1 | 1 | FRONT FOOT FOR HW HOSE | | 0 | 0 | |
| 028 | 4.007.0271 | 23.14 | 1 | 1 | INFER. TUBE BASE HWESP.00 | | 0 | 0 | |
| 029 | 3.100.0082 | 1 | 20 | 1 | QUICK COUPLING INLET CONNECTOR | | 0 | 0 | |
| 030 | 4.008.0036 | 2 | 10 | 1 | SUPPORT PAD | | 0 | 0 | |
| 037 | 4.008.0581 | 1 | 20 | 1 | CABLE HOLDER D.15,5 (AK) | | 0 | 0 | |
| 038 | 4.013.0372 | 20 | 1 | 1 | HW COVER -G- RAL 1018 ESP.00 | | 0 | 0 | |
| 039 | 4.007.0288 | 20 | 1 | 1 | FIXING BAND FOR MOTOPUMP D.125ESP.00 | | 0 | 0 | |
| 040 | 3.002.0386 | 1 | 20 | 2 | SCREW 6,3x50UNI 6950 ZNT BLACK | | 0 | 0 | |
| 042 | 4.008.0732 | 20 | 1 | 1 | UPPER LANCE HOLDER HW | | 0 | 0 | |
| 043 | 4.008.0172 | 20 | 1 | 1 | TRANSPARENT TUBE D.6X9 L.480 | | 0 | 0 | |
| 044 | 4.008.0444 | 3.35 | 7 | 2 | DETERGENT TRANSPARENT PIPE 6X9L.340mm | | 0 | 0 | |
| 045 | 4.012.0150 | 20 | 1 | 1 | CABLE H05VV-F 3X1.5 MT.5.2 F/FSCHUKO PLUG ESP.00 | | 0 | 0 | |

PARTS LIST

Code R80430003-2 **Start Date** 1/7/2003
Description IDRO HW24 230/50 -G- TS -EU- **End Date** 1/1/3000
 S/AVV. +ROTOX +SPAZZ.ROT. **Table** E8043C001-01

| Pos. | Code | Price | Q.ty per pck. | Qty. | Description | Alternative | Price | Q.ty per pck. | Description |
|------|------------|-------|---------------|------|-----------------------------------|-------------|-------|---------------|-------------------------------------|
| 047 | 6.001.0038 | 36.57 | 1 | 1 | S'99 GUN METAL EXTENSION | 6.001.0066 | 36.57 | 1 | GUN S'01 |
| 048 | 4.018.0061 | 30 | 1 | 1 | MT. 8 1/4 CONNECTION | | 0 | 0 | |
| 049 | 6.002.0183 | 33.48 | 1 | 1 | SY'99 LANCE 1,05 A/B (GREY) | 6.002.0184 | 33.48 | 1 | SY'99 1.10 LANCE -GREEN |
| 050 | 6.002.0222 | 35.02 | 1 | 1 | S97 1.10 ROTOX BRASS LANCE- GREEN | 6.X02.0222 | 20 | 1 | ROTOX BRASS LANCE S97 1,10 (YELLOW) |
| 053 | 3.601.0035 | 34.63 | 1 | 1 | ROTATING HYDRO BRUSH WITH HANDLE | 3.601.0074 | 16.12 | 2 | ROT. BRUSH '05 |
| 061 | 4.007.0114 | 1 | 20 | 0 | NOZZLE CLEANING PIN | | 0 | 0 | |