



PARTS LIST

Code R50010560-1
Description MOTOPR+PUMP

Start Date 24/5/2005
End Date 1/1/3000
Table E50010015-03

Pos.	Code	Price	Q.ty per pck.	Qty.	Description	Alternative	Price	Q.ty per pck.	Description
000	5.001.0560	259.2	1	1	MOTORPUMP 125H110 230/50	5.Y01.0560	190.55	1	MOTORP.PT'03 125h100 230/50 D.12 12' TS IN.1.7
001	3.404.0016	20	1	1	CAPACITOR 45 mF 450V D.50X90 ESP. 02		0	0	
007	4.008.0583	10	2	1	MOTOR FAN COVER '96 WITHOUT GRILL		0	0	
008	5.X09.0587	20	1	1	ANTERIOR FLANGE x PT'03 D.125.		0	0	
009	6.005.0251	20	1	1	KIT 168 LW RING+FAN		0	0	
010	5.002.0134	124.05	1	1	MOTOR CASING '96 D125 H100 230/50 2P		0	0	
011	3.001.0020	10	2	1	RADIAL FOR POSTERIOR FLANGE 17X40X12 6203 2RS		0	0	
012	5.005.0053	37.95	1	1	ROTOR D.65 H.100 x MOT.125 PT'03		0	0	
014	4.X05.0226	20	1	1	FRONT FLANGE MOTOR D.125h100 PT'03 LAV.WITH/THREAD ESP.03		0	0	
015	3.201.0001	1	20	1	OIL SEAL 20/35/6/6,5 BABSL		0	0	
016	3.001.0031	20	1	1	ANTERIOR RADIAL FOR CASING 20X52X15 - 6304		0	0	
017	4.005.0225	2.53	10	1	INCLINATED PLATE 12 DEGREE X PT'03 REV.01		0	0	
019	4.007.0328	10	2	1	THRUST BEARING 35X55X12 PT'03REV.03		0	0	
020	6.005.0181	20	1	1	KIT 167 LW PISTON		0	0	
022	6.005.0226	20	1	1	KIT 209 O-RING		0	0	
024	6.005.0183	11.33	2	1	KIT 169 LW INJECTOR 1,7		0	0	
025	6.005.0079	11	2	1	KIT 79 LW OIL SEALS		0	0	
026	6.005.0184	10	2	1	KIT 170 LW HEAD VALVE KIT		0	0	
027	4.005.0210	20	1	1	'03 PARTNER HEAD REV.11		0	0	
028	6.005.0133	10	2	1	KIT 124 O-RING WATER SEAL PARTNER D.12		0	0	
029	6.005.0134	10	2	1	KIT 125 O-RING SEAL		0	0	
030	4.005.0211	22	1	1	PISTON BODY GUIDE PT'03 ESP00		0	0	
031	5.006.0181	155	1	1	COMPLETE MOTOR'99 D.125 H.100230/50 2P		0	0	
032	5.007.Z203	58.26	1	1	GUIDE BODY PT03 PIST.D.12		0	0	
033	5.008.0182	20	1	1	'03 PARTNER HEAD D.12		0	0	

PARTS LIST

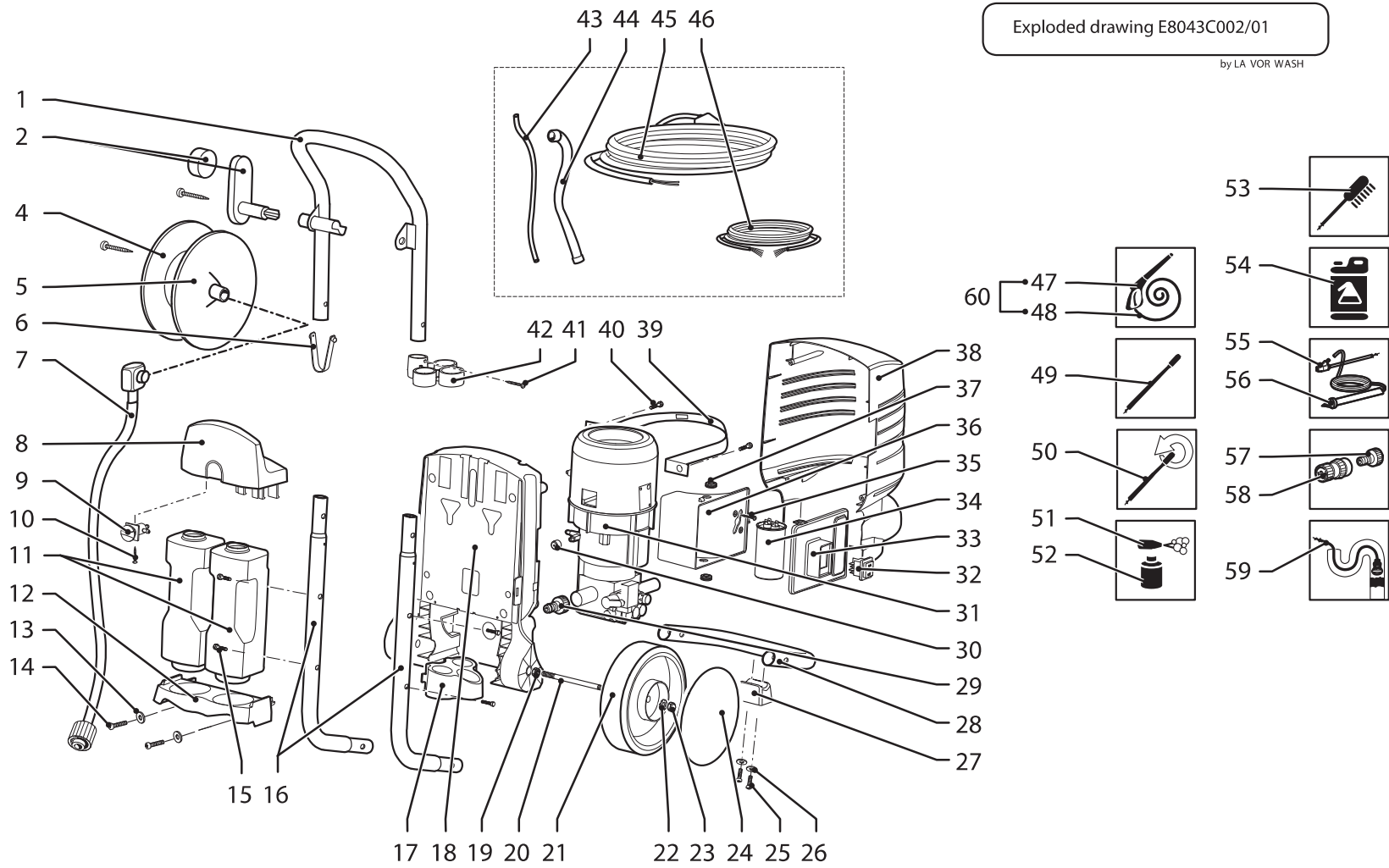
Code R50010560-1
Description MOTOPR+PUMP

Start Date 24/5/2005
End Date 1/1/3000
Table E50010015-03

Pos.	Code	Price	Q.ty per pck.	Qty.	Description	Alternative	Price	Q.ty per pck.	Description
034	5.009.0596	20.98	2	1	COMPENSATED VALVE WITH TS - SPRING 17 KG - CABLE L.530		0	0	

Exploded drawing E8043C002/01

by LA VOR WASH





PARTS LIST

Code R80430804-1
Description CHASSIS

Start Date 24/5/2005
End Date 1/1/3000
Table E8043C002-01

Pos.	Code	Price	Q.ty per pck.	Qty.	Description	Alternative	Price	Q.ty per pck.	Description
001	4.007.0272	27.04	1	1	UPPER TUBE HANDLE HWESP.00		0	0	
006	4.007.0277	10	2	2	SPRING HOSE HOLDER FOR HANDLEHW		0	0	
008	4.008.0724	20	1	1	UPPER SUPPORT X HW TANKS		0	0	
009	3.105.0006	8.65	3	1	3 WAYS FAUCET YELLOW		0	0	
011	4.008.0725	20	1	2	DETERGENT TANK		0	0	
012	4.008.0723	8.17	3	1	BOTTOM SUPPORT X HW TANKS		0	0	
016	5.011.0068	20	1	2	LATERAL HOSE X HW		0	0	
017	4.008.0732	20	1	1	UPPER LANCE HOLDER HW		0	0	
018	4.008.0722	22.06	1	1	PUMP SUPPORT X HW		0	0	
019	3.003.0017	1	20	4	NUT 982 ZNT		0	0	
020	4.007.0276	10	2	2	WHEEL PIVOT M8 D.12 X HW ESP.00		0	0	
021	3.006.0033	11.9	2	2	WHEEL D 200 HOLE 12 HW		0	0	
024	3.099.0095	10	2	2	WHEEL STUD X SP200 -G- RAL 1018		0	0	
027	4.008.0730	20	1	1	FRONT FOOT FOR HW HOSE		0	0	
028	4.007.0271	23.14	1	1	INFER. TUBE BASE HWESP.00		0	0	
029	3.100.0082	1	20	1	QUICK COUPLING INLET CONNECTOR		0	0	
030	4.008.0036	2	10	1	SUPPORT PAD		0	0	
037	4.008.0581	1	20	1	CABLE HOLDER D.15,5 (AK)		0	0	
038	4.013.0372	20	1	1	HW COVER -G- RAL 1018 ESP.00		0	0	
039	4.007.0274	11.14	3	1	FIXING MOTOR-PUMP PLATEESP.00	4.007.0288	20	1	FIXING BAND FOR MOTOPUMP D.125ESP.00
040	3.002.0189	1	25	2	SCREW 6.3X50 UNI 6950	3.002.0386	1	20	SCREW 6,3x50UNI 6950 ZNT BLACK
043	4.008.0172	20	1	1	TRANSPARENT TUBE D.6X9 L.480		0	0	
044	4.008.0444	3.35	7	2	DETERGENT TRANSPARENT PIPE 6X9L.340mm		0	0	
045	4.012.0150	20	1	1	CABLE H05VV-F 3X1.5 MT.5.2 F/FSCHUKO PLUG ESP.00		0	0	
047	6.001.0038	36.57	1	1	S'99 GUN METAL EXTENSION	6.001.0066	36.57	1	GUN S'01

PARTS LIST*Code* R80430804-1*Start Date* 24/5/2005*Description* CHASSIS*End Date* 1/1/3000*Table* E8043C002-01

Pos.	Code	Price	Q.ty per pck.	Qty.	Description	Alternative	Price	Q.ty per pck.	Description
048	4.018.0061	30	1	1	MT. 8 1/4 CONNECTION		0	0	
049	6.002.0304	14.55	2	1	LANCE SY'03 D.1,15 (YELLOW)-BLACK HANDLE (PRESS.	6.002.Z304	20	1	ADJUSTABLE PRESSURE LANCE
050	6.002.0223	35.02	1	1	ROTOX LANCE S97 1,20 (RED) BRASS		0	0	
061	4.007.0114	1	20	0	NOZZLE CLEANING PIN		0	0	