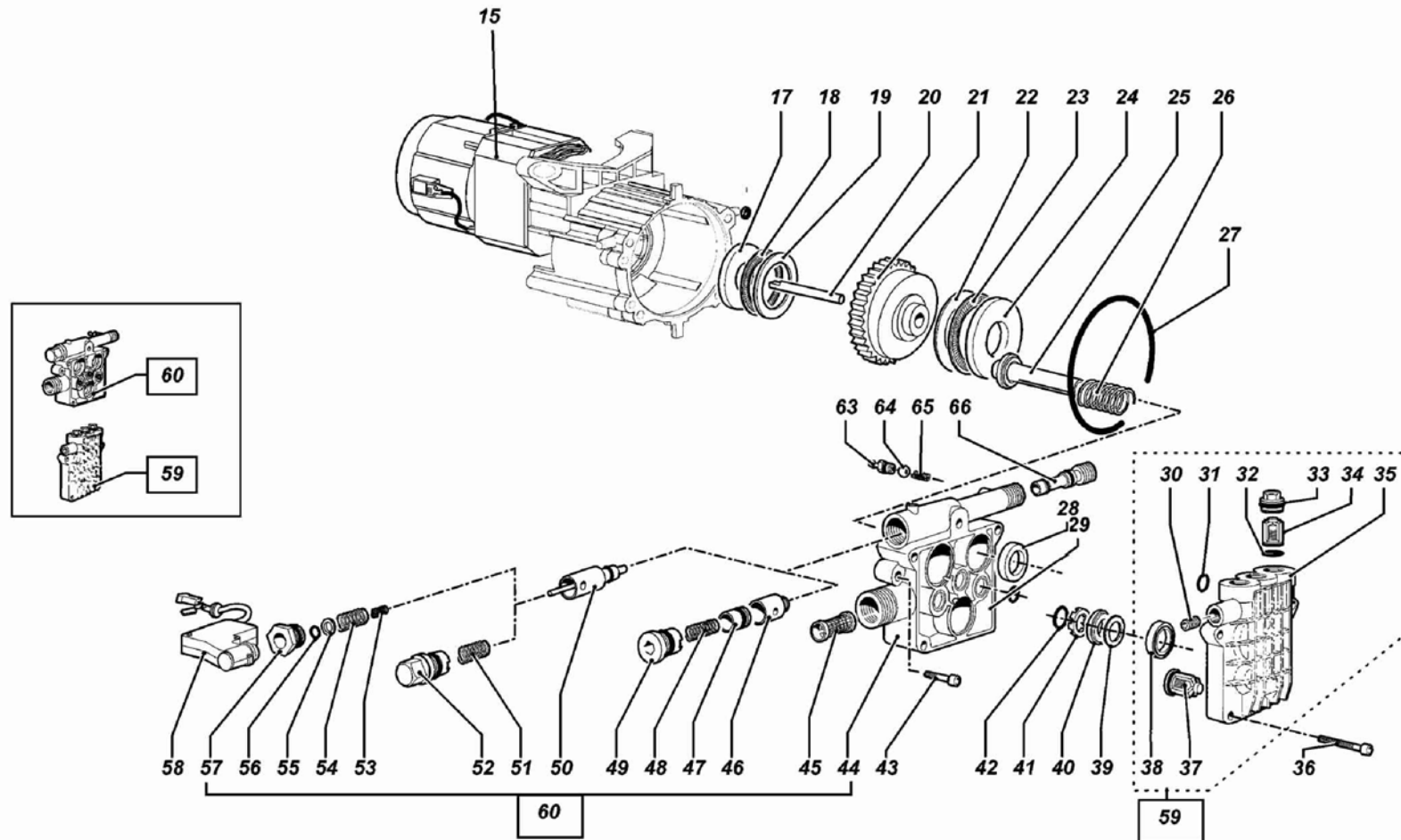


Exploded drawing cod.  
E50010013/01

by  
LAVORWASH



0202



# PARTS LIST

Code R50010432-1  
 Description MOTOP.SPAZZOLA 230/50  
 FLANGIAINT.7'35 TS D.12

Start Date 11/9/2002  
 End Date 1/1/3000  
 Table E50010013/01

Pos.	Code	Price	Q.ty per pck.	Qty.	Description	Alternative	Price	Q.ty per pck.	Description
015	5.009.0352	178.99	1	1	MOTOR BRUSH 230/50		0	0	
017	4.007.0206	20	1	1	THRUST SHOE FOR AXIAL BEARING		0	0	
018	3.001.0027	1.7	20	1	ROLLER-CAGE AXK 3047		0	0	
019	3.001.0028	1	20	1	THRUST RING AS3047 AXIAL BEARING		0	0	
020	4.007.0205	5	4	1	PIN 10X70		0	0	
021	5.009.0470	20	1	1	WASHER ASSY 7'35 WITH CROWN Z50 X D.12		0	0	
022	3.001.0003	2	10	1	DISK AS 4565		0	0	
023	3.001.0025	2.27	10	1	NEEDLE-ROLLER CAGE		0	0	
024	4.007.0001	20	1	1	THRUST SHOE D.65 (C10Pb) FINISHED		0	0	
025	5.009.0452	6.75	3	3	ASSEMBLY PISTON/RETAINER D.12		0	0	
026	4.007.0025	1	20	3	PISTON RECALL SPRING D.14 ESP.01		0	0	
027	3.200.0014	1	20	1	O-RING GASKET 85X2,5 NITRILIC		0	0	
028	3.201.0014	3.63	6	3	OIL SEAL RING D.12X20X5/7		0	0	
029	3.200.0013	1	20	3	O-RING 11,1X1,78		0	0	
030	4.006.0109	5	4	1	TAPERED 1/8 CAP		0	0	
031	3.200.0018	1	20	1	OR-RING GASKET 9.92X2.62 SHORE90		0	0	
032	3.200.0019	1	20	3	O-RING 12,4X1,78 SH.90		0	0	
033	5.009.0101	6.75	3	3	CAP VALVE SUCTION DELIVERY-ORMOUNTED		0	0	
034	5.009.0005	6.75	3	3	DELIVERY SUCTION VALVE LAVOR 1		0	0	
035	4.005.0187	15.53	2	1	PARTNER HEAD '01 FOR PISTONS DIAM. 12	5.008.0160	28.01	1	PARTNER HEAD D.12
036	3.002.0116	1	20	4	SCREW M6X75 UNI 5931		0	0	
037	5.009.0015	4	6	3	COMPLETE SUCTION VALVE		0	0	
038	3.201.0020	2.25	9	3	WATER SEAL 12X18X5		0	0	
039	4.008.0695	1	20	3	ANTI-EXTRUSION RING FOR PARTNER D.12		0	0	
040	4.006.0251	6.75	3	3	PIECE FOR SUPPORT PARTNER D.12		0	0	



# PARTS LIST

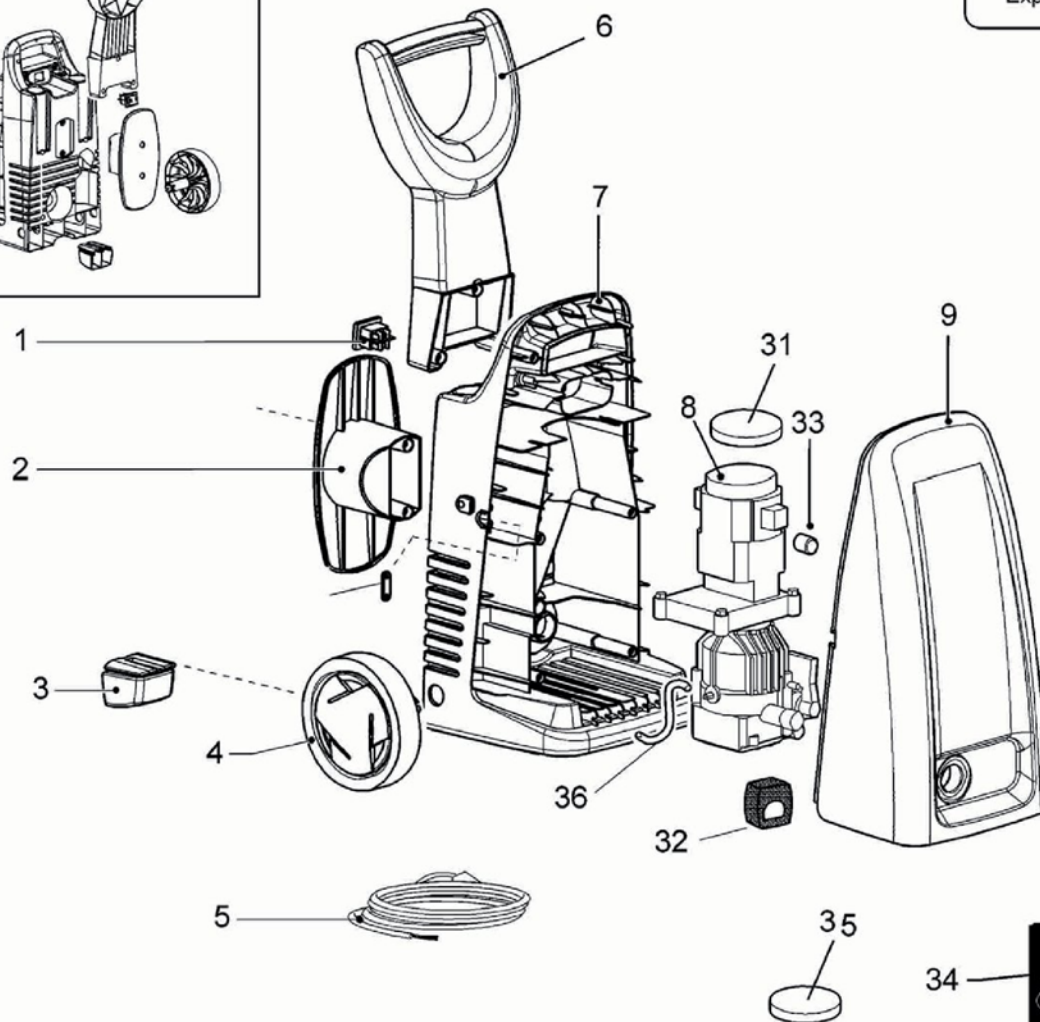
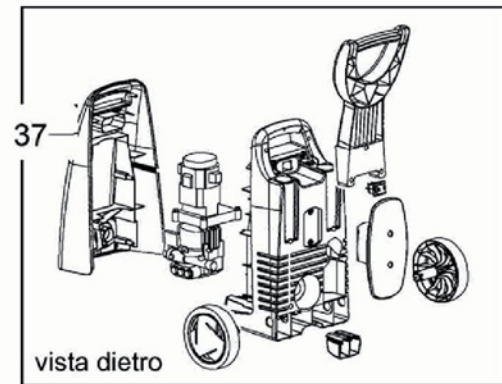
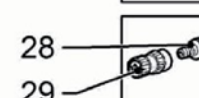
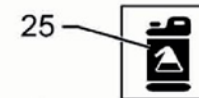
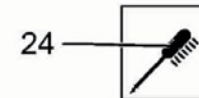
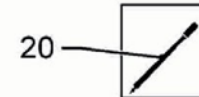
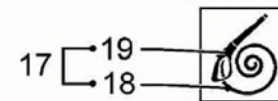
Code R50010432-1  
 Description MOTOP.SPAZZOLA 230/50  
 FLANGIAINT.7'35 TS D.12

Start Date 11/9/2002  
 End Date 1/1/3000  
 Table E50010013/01

Pos.	Code	Price	Q.ty per pck.	Qty.	Description	Alternative	Price	Q.ty per pck.	Description
041	4.008.0657	1	20	3	OIL SPACER D.12 REV.02		0	0	
043	3.002.0094	1	20	2	SCREW TCEI M6X30 ZNT		0	0	
044	4.005.0188	20.12	1	1	PISTON BODY GUIDE D.12 S/IN.LAV.FINITO ESP.01		0	0	
045	4.008.0031	1	20	1	INLET WATER FILTER H2O D.16 CONICAL		0	0	
050	5.009.0362	10.28	2	1	VALVE ASS. D.2,1 FOR TS OR 5,28X1,78 (AK)		0	0	
053	4.007.0147	2	10	1	VALVE		0	0	
054	4.007.0146	2.49	10	1	VALVE		0	0	
055	4.008.0341	4	5	1	HOLDER A.S.S. ESP.01		0	0	
056	3.200.0073	1	20	1	OR GASKET		0	0	
057	5.009.0254	6.75	3	1	CAP+OR TOTAL STOP VALVE ASSY		0	0	
058	5.009.0516	20	1	1	MICRO ASSY+CABLE TS MACH USA/EU ESP.00		0	0	
059	5.008.0160	28.01	1	1	PARTNER HEAD D.12		0	0	
060	5.007.0152	39.26	1	1	PISTON BODY GUIDE D.12 S/R S/IN D.1,9 TS SPRING 1,5		0	0	

Exploded drawing E8061C001/02

by LAVORWASH



0403

# PARTS LIST

Code R80610002-1 Start Date 11/9/2002  
 Description IDRO TIGER 230/50 -G- EU LWS TS End Date 1/1/3000  
 C/CARRELLO Table E8061C001-02

Pos.	Code	Price	Q.ty per pck.	Qty.	Description	Alternative	Price	Q.ty per pck.	Description
001	5.009.0213	10	2	1	SWITCH WITH PROTECTION 12(10)		0	0	
002	4.008.0789	20	1	1	HOSE REEL TIGER		0	0	
003	4.008.0790	20	1	1	FRONT FOOT		0	0	
004	4.008.0791	10	2	2	BLACK WHEEL FOR TIGER		0	0	
005	4.012.0174	20	1	1	CABLE H05VV-F 2X1 MT.5,4 F/F SCHUKO PLUG REV.03		0	0	
006	4.008.0787	20	1	1	HANDLE FOR TIGER	4.008.0821	20	1	HANDLE FOR MACH
007	4.008.0788	36.84	1	1	BLACK REAR COVER FOR TIGER		0	0	
008	5.001.0432	163.43	1	1	MOTOP.SPAZZOLA 230/50 FLANGIAINT.7'35 TS D.12		0	0	
009	4.013.0389	20	1	1	UPPER COVER TIGER -G- RAL. 1018 ESP .00		0	0	
018	6.001.0046	23	1	1	HP SPRAY GUN S'01	6.001.0067	32.55	1	GUN S'01-EU-INTERM.SECURITY PIN YELLOW
019	4.018.0010	20.55	2	1	HOSE 1/4 140 BAR L.6000 1/4F+D.15 PLAST	4.018.0076	20.55	1	H.P. HOSE 1/4 L6000
020	6.002.0217	16.69	2	1	LANCE S'99 1,00 FIX BLACK	6.002.0209C	11	2	FIXED LANCE S'99 1,05 L=46cm.(GREY) ESP.00
022	5.011.0070	4.75	5	1	FOAM SPRAYER 03	6.002.0259	10	2	FOAM JET '99 W/TANK
023	4.008.0529	3.75	6	1	YELLOW FOAM SPRAYER BOTTLE	4.008.0803	3.75	6	TANK FOR FOAM SPRAYER '99 -WHITE
028	3.100.0005	3.03	8	1	QUICK COUPLING INLET CONNECTOR	3.100.0082	1	20	QUICK COUPLING INLET CONNECTOR
029	3.100.0062	2.5	10	1	QUICK COUPLING WITH VALVE (3029)		0	0	
031	4.008.0800	4.41	6	1	ADAPTER FOR CONVEYOR INTEGR. FLANGE		0	0	
032	4.008.0604	3.64	7	2	INLET-OUTLET FOAM		0	0	
033	4.008.0036	2	10	2	SUPPORT PAD		0	0	