



PARTS LIST

Code R50010583-1
 Description MOTOR PUMP

Start Date 6/6/2006
 End Date 1/1/3000
 Table E50010017-01

Pos.	Code	Price	Q.ty per pck.	Qty.	Description	Alternative	Price	Q.ty per pck.	Description
000	5.001.0583	389.34	1	1	MOTORPUMP PTV 9'16-19 230/50 125H100 D.12 ESP.00	5.001.0598	431.03	1	MOTOPOMPA PTV'07 9'16-19' 230-240/50 125h110
001	4.008.1032	20	1	1	PTV MOTORPUMP CONVEYOR		0	0	
002	6.005.0251	20	1	1	KIT 168 LW RING+FAN		0	0	
003	5.002.0134	124.05	1	1	MOTOR CASING '96 D125 H100 230/50 2P		0	0	
004	3.001.0020	10	2	1	RADIAL FOR POSTERIOR FLANGE 17X40X12 6203 2RS		0	0	
005	5.005.0056	42.18	1	1	PTV ROTOR D.65 H100		0	0	
006	4.005.0230	45.64	1	1	FRONT MOTOR FLANGE (PTV)		0	0	
007	3.201.0001	1	20	1	OIL SEAL 20/35/6/6,5 BABSL		0	0	
008	3.001.0002	10	2	1	BALL OBLIQUE		0	0	
009	5.009.0609	60.56	1	1	COMPLETE INCLINATED PTV PLATE		0	0	
010	6.005.0008	26.88	1	1	KIT 8 LAVOR		0	0	
011	6.005.0250	22.66	1	1	KIT 167 LW 3 PISTONS+SPRINGX PTV		0	0	
012	3.200.0014	1	20	1	O-RING GASKET 85X2,5 NITRILIC		0	0	
014	6.005.0143	10	2	1	KIT 130 SEALS SPACERS+RINGS PT D.12		0	0	
015	6.005.0133	10	2	1	KIT 124 O-RING WATER SEAL PARTNER D.12		0	0	
016	4.005.0229	20	1	1	HEAD PTW X PISTON D.12		0	0	
017	6.005.0026	20	1	1	KIT 20 LAVOR -VALVES FOR PARTNALLUM. PUMP		0	0	
018	6.005.0020	20	1	1	KIT 23 LAVOR		0	0	
019	3.200.0018	1	20	1	OR-RING GASKET 9.92X2.62 SHORE90		0	0	
020	4.008.0031	1	20	1	INLET WATER FILTER H2O D.16 CONICAL		0	0	
021	3.200.0013	1	20	3	O-RING 11,1X1,78		0	0	
022	6.005.0079	11	2	1	KIT 79 LW OIL SEALS		0	0	
023	4.005.0244	31.36	1	1	PTV PISTONS BODY GUIDE (COMP.VALVE)		0	0	
024	6.005.0249	20	1	1	KIT 232 LW PTV CHEMICAL INJECTOR W/OUT TS		0	0	
025	5.009.0333	10	2	1	OUTLET COUPLING M22X1.5 COMPLETE OF OR		0	0	

LAVORWASH**SERVICE**

PARTS LIST

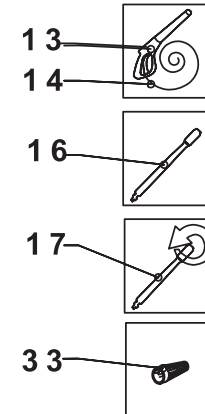
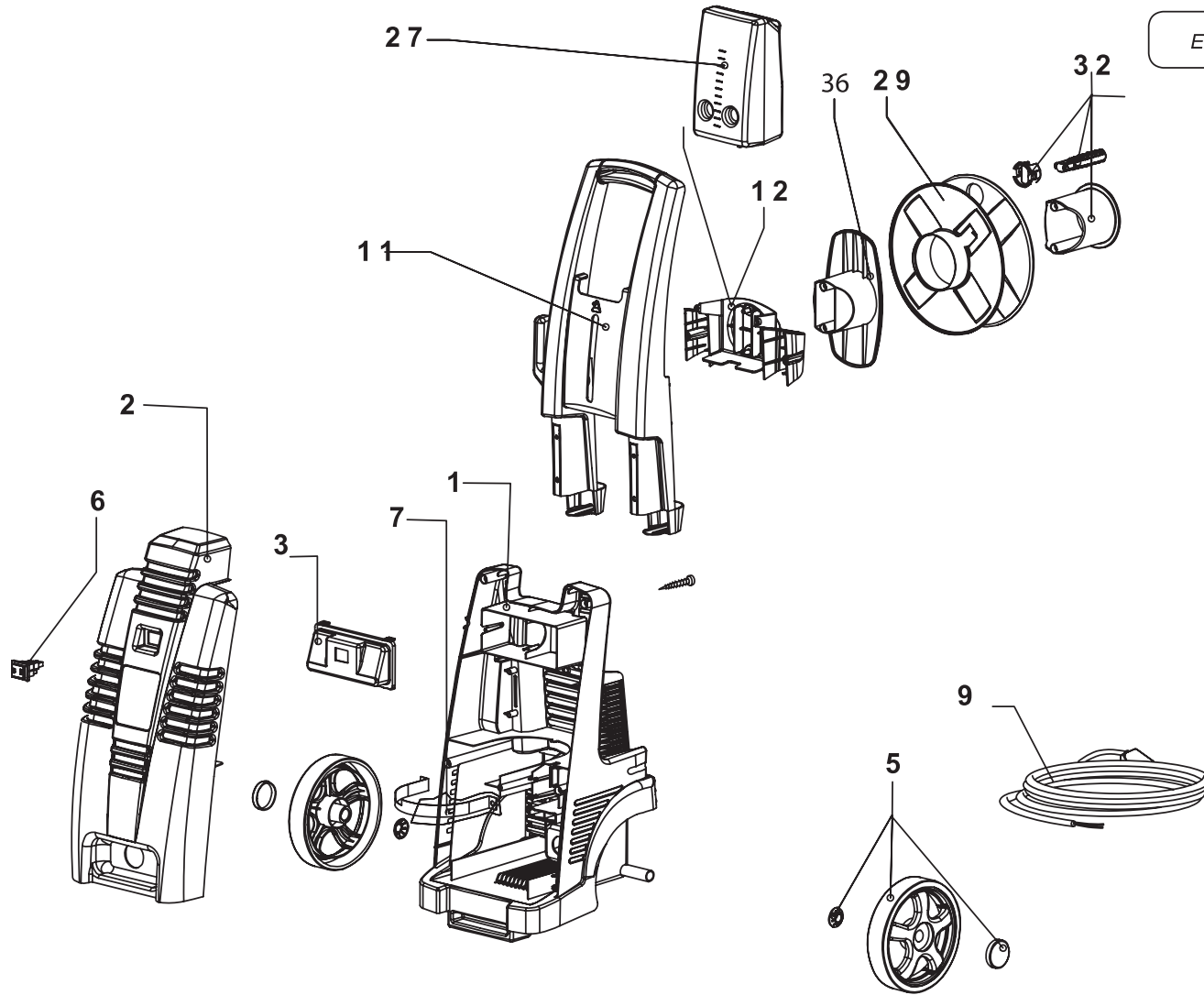
Code R50010583-1
Description MOTOR PUMP

Start Date 6/6/2006
End Date 1/1/3000
Table E50010017-01

Pos.	Code	Price	Q.ty per pck.	Qty.	Description	Alternative	Price	Q.ty per pck.	Description
026	6.005.0243	29.87	1	1	KIT 226 LW PTV EASY STARTER		0	0	
027	6.005.0091	22.8	1	1	KIT 91 LW COMPENSATE VALVE		0	0	
028	5.008.0194	34.61	1	1	HEAD PTV D.12 S/IND.		0	0	
029	5.007.0214	97.34	1	1	PTV COMPLETE PISTONS BODY GUIDE + EASY STARTER		0	0	
030	5.006.0189	156.82	1	1	PTV MOTOR'99 D.125 H100 230/502P		0	0	

Exploded Drawing E8070C001/01

by Lavorwash





PARTS LIST

Code R80700003-1
Description CHASSIS

Start Date 6/6/2006
End Date 1/1/3000
Table E8070C001-01

Pos.	Code	Price	Q.ty per pck.	Qty.	Description	Alternative	Price	Q.ty per pck.	Description
001	5.011.0080	80	1	1	BOTTOM CHASSIS x BEST	5.011.0082	32.21	1	HURRICANE REAR HOUSING
002	4.013.0503	20	1	1	FRONT COVER HURRICANE		0	0	
003	4.008.1031	6.49	4	1	CAP FOR ELECTRICAL BOX		0	0	
005	6.005.0238	20	1	1	KIT 221 LW WHEELS+STARLOCK		0	0	
006	5.009.0538	10.59	2	1	SWITCH ASSY + PROTECTION COVER14 (14)		0	0	
007	4.007.0346	20	1	1	MOTOR FIXING BRACKET		0	0	
009	4.012.0150	20	1	1	CABLE H05VV-F 3X1.5 MT.5.2 F/FSCHUKO PLUG ESP.00		0	0	
011	4.008.0867	24.77	1	1	HANDLE		0	0	
012	4.008.0869	20	1	1	LANCE HOLDER		0	0	
013	6.001.0065	36.57	1	1	GUN S'01DM WITH PRESSURE GAUGE	6.001.0077	36.57	1	GUN S'02C WITH QUICK CONNECTION
014	4.018.0082	30	1	1	HOSE 1/4 160BAR L8000 QUICK COUPLING M22X1.5 D.15 ESP.00		0	0	
016	6.002.0314	88.58	1	1	LANCE	6.005.0297	35	1	KIT 270 LW LANCIA+UGELLI X
027	4.008.0868	20.75	1	1	DETERGENT TANK		0	0	
029	4.008.0924	20	1	1	COILER BODY		0	0	
032	6.005.0239	20	1	1	KIT 222 LW COMPLETE HOSEREELKNOB		0	0	
033	4.008.0031	1	20	1	INLET WATER FILTER H2O D.16 CONICAL		0	0	
034	4.608.0027	6.59	4	1	CAP DIAM.30 FOR TANK FIRE 100		0	0	