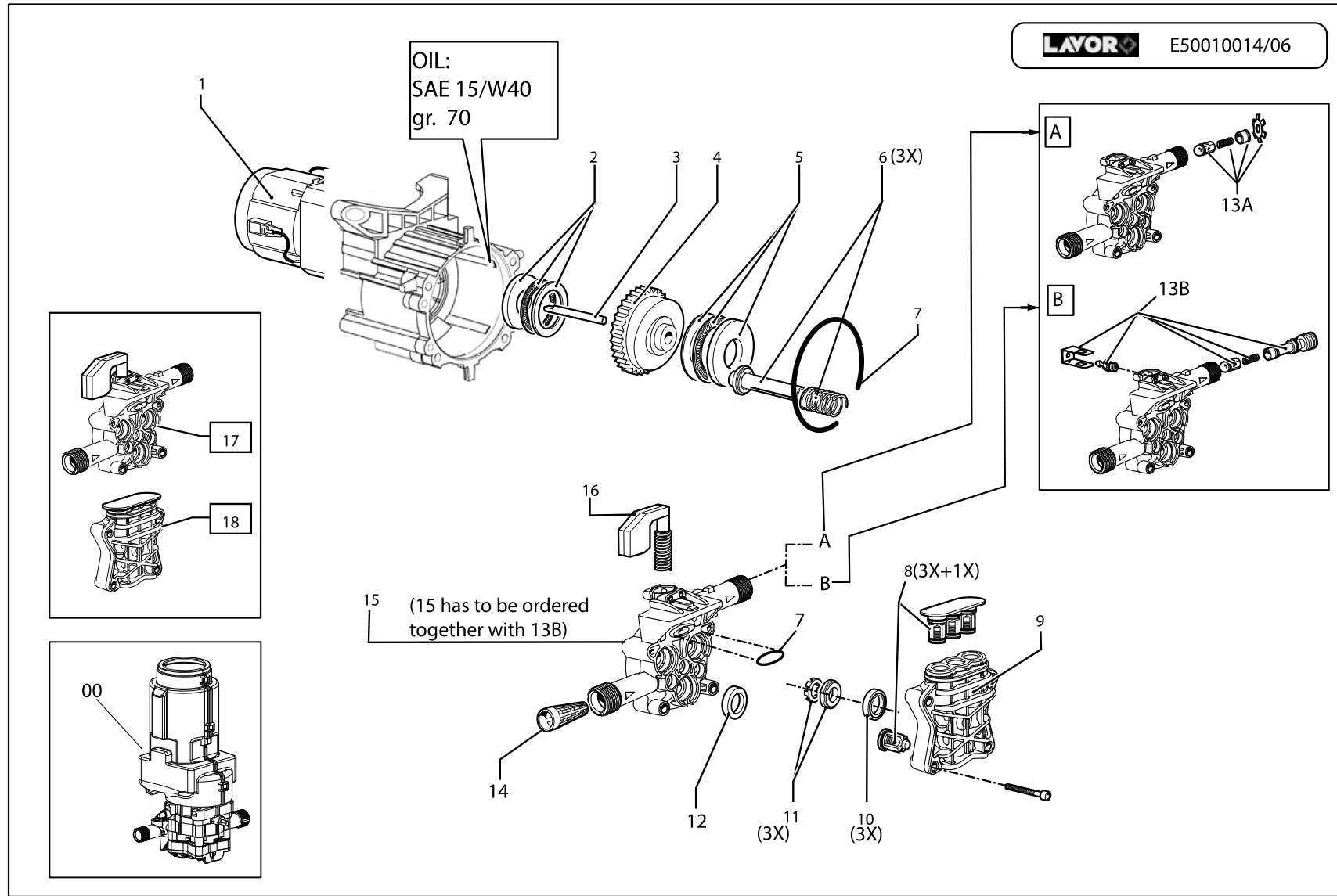


OIL:  
SAE 15/W40  
gr. 70





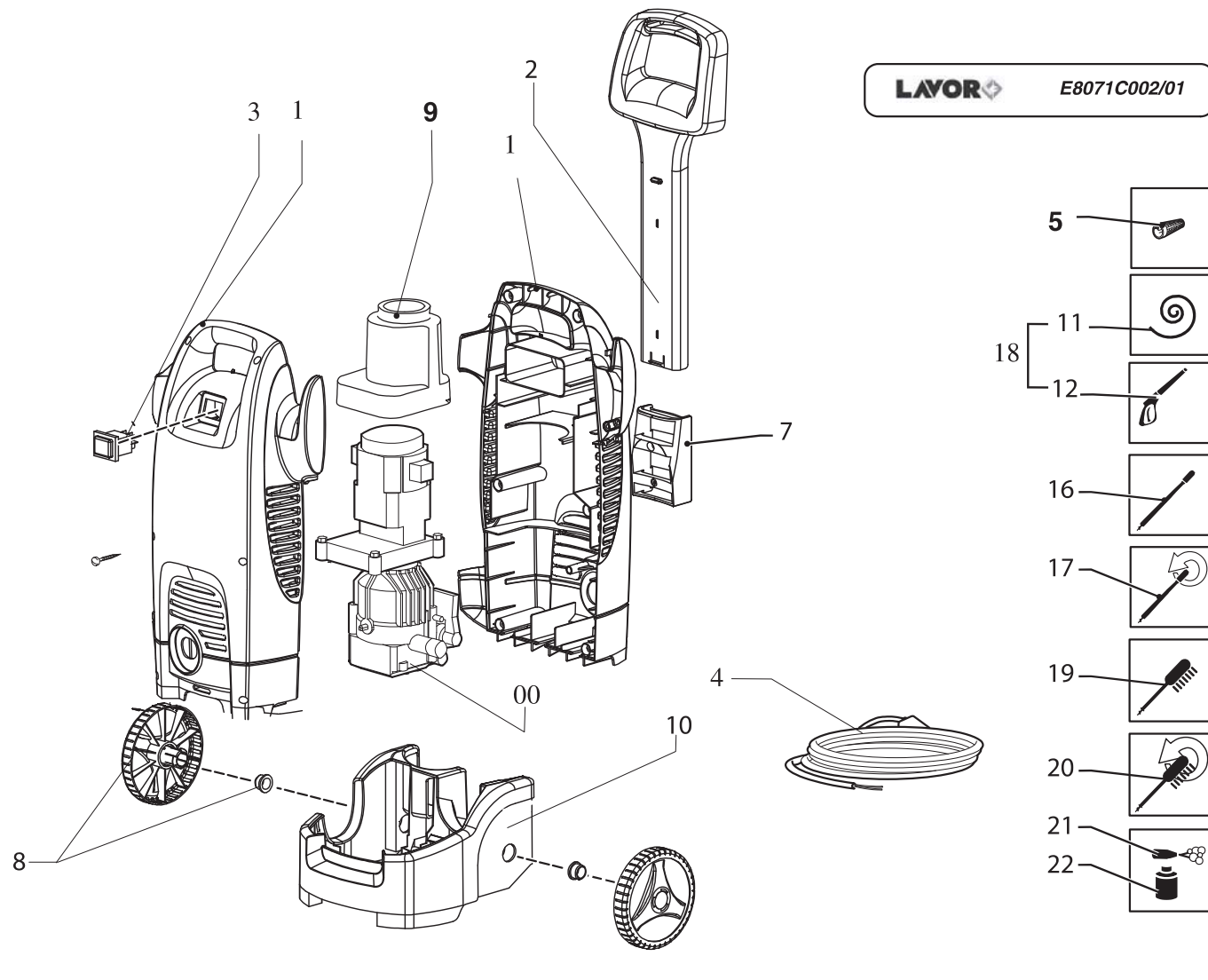
# PARTS LIST

**Code** R50010646C-1 **Start Date** 29/10/2009  
**Description** MOTORPUMP PT'03 230/50 4'45 TS **End Date** 1/1/3000  
**Table** E50010014-06

Pos.	Code	Price	Q.ty per pck.	Qty.	Description	Alternative	Price	Q.ty per pck.	Description
000	5.001.0646C	60	1	1	MOTORPUMP PT'03 230/50 TS 4'45SPRING 9KG (7630PF)		0	0	
001	5.009.0727	72	1	1	ASSEMBLY MOTOR PT'03 230/50 WITH CAPACITOR (U7630PF)		0	0	
003	4.007.0205	5	4	1	PIN 10X70		0	0	
004	5.009.0728	8	3	1	4'45 PLATE ASSEMBLY W/CROWN Z62		0	0	
005	6.005.0087	20	1	1	KIT 87 LW		0	0	
006	6.005.0181	20	1	1	KIT 167 LW PISTON		0	0	
007	6.005.0226	20	1	1	KIT 209 O-RING		0	0	
008	6.005.0184	10	2	1	KIT 170 LW HEAD VALVE KIT		0	0	
009	4.005.0210	20	1	1	'03 PARTNER HEAD REV.11		0	0	
010	6.005.0133	10	2	1	KIT 124 O-RING WATER SEAL PARTNER D.12		0	0	
011	6.005.0134	10	2	1	KIT 125 O-RING SEAL		0	0	
012	6.005.0079	11	2	1	KIT 79 LW OIL SEALS		0	0	
014	4.008.0031	1	20	1	INLET WATER FILTER H2O D.16 CONICAL		0	0	
015	5.009.0676	23.1	1	1	ASSEMBLY BODY GUIDE WITHOUT SUCTION		0	0	
016	5.009.0680	20	1	1	COMPENSATED VALVE WITH TS X PT'03 CABLE L=530 SPRING 9 KG		0	0	
017	5.007.0192	57.1	1	1	GUIDE BODY PARTNER'03 PISTON D.12 W/TS-WOUT/VACUUM-		0	0	
018	5.008.0182	20	1	1	'03 PARTNER HEAD D.12		0	0	

LAVOR

E8071C002/01





# PARTS LIST

Code R80720625-1  
 Description CHASSIS

Start Date 29/10/2009  
 End Date 1/1/3000  
 Table E8071C002-01

Pos.	Code	Price	Q.ty per pck.	Qty.	Description	Alternative	Price	Q.ty per pck.	Description
000	5.001.0646C	60	1	1	MOTORPUMP PT'03 230/50 TS 4'45SPRING 9KG (7630PF)		0	0	
001	4.013.0543	25	1	1	RIGHT+LEFT PLASTIC COVER POWER19 YELLOW RAL.1018		0	0	
002	4.008.1119	3.8	6	1	POWER FIXED HANDLE BLACK COLOUR		0	0	
003	5.009.0213	10	2	1	SWITCH WITH PROTECTION 12(10)		0	0	
004	4.012.0174	20	1	1	CABLE H05VV-F 2X1 MT.5,4 F/F SCHUKO PLUG REV.03		0	0	
005	4.008.0031	1	20	1	INLET WATER FILTER H2O D.16 CONICAL		0	0	
008	6.005.0241	20	1	2	WHEELS KIT		0	0	
009	4.008.1172	2.53	9	1	AIR CONVEYOR FOR U76 -C- REV.03		0	0	
010	4.008.1002	20	1	1	BASE FOR TROLLEY POWER		0	0	
011	4.018.0094	20	1	1	HOSE 1/4 130BAR L=4000 M22x1,5D.15-RAPID FIX WITH SPIRAL SL		0	0	
012	6.001.0073	24	1	1	GUN S'09 WITH INTEGRAL QUICK JOINT LAVOR		0	0	
016	6.002.0326	20	1	1	LANCE S'02V D.0,9 PINK RAL.3015 (PANT.706C) REV.00		0	0	
017	6.002.0329	10	2	1	ROTOX LANCE S01 CONICAL HEAD 1,025 (BLACK) L=470 REV.00		0	0	
020	3.601.0097	50	1	1	YELLOW/BLACK FLOOR BRUSH WITHEXTENSION (D.1,1)		0	0	
021	5.011.0070	4.75	5	1	FOAM SPRAYER 03	6.002.0259	10	2	FOAM JET '99 W/TANK
022	4.008.0529	3.75	6	1	YELLOW FOAM SPRAYER BOTTLE	4.008.0803	3.75	6	TANK FOR FOAM SPRAYER '99 -WHITE