



PARTS LIST

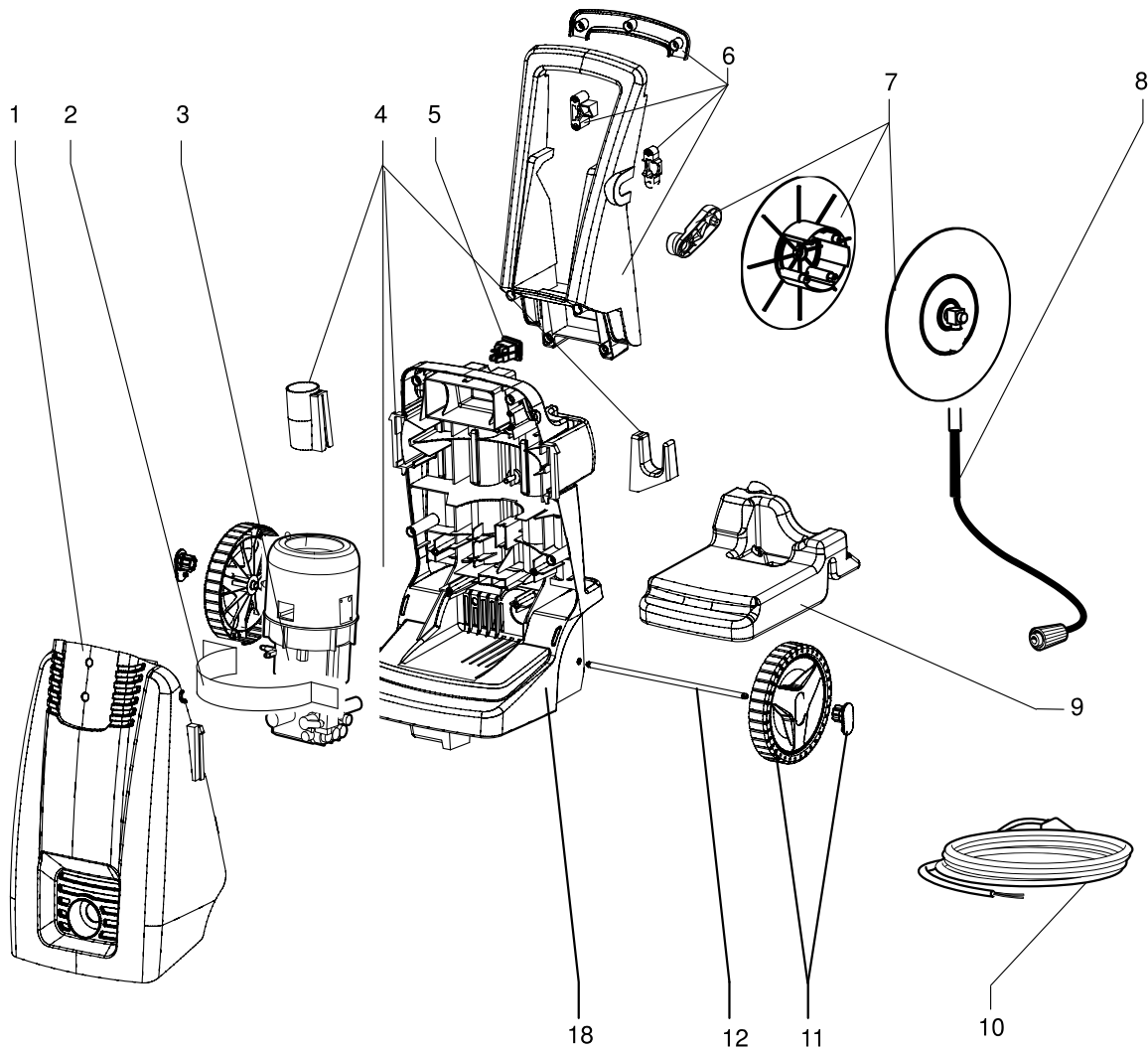
Code R50010533-1
Description MOTOR+PUMP


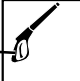
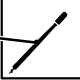


Start Date 24/11/2005
End Date 1/1/3000
Table E50010015-03

Pos.	Code	Price	Q.ty per pck.	Qty.	Description	Alternative	Price	Q.ty per pck.	Description
000	5.001.0533	183.12	1	1	MOTORPUMP PT'03 110h100 230-240/50 D.12 9'35 TS IN 1.78MACH		0	0	
001	3.404.0017	20	1	1	25 MF 450V CAPACITOR 39x94		0	0	
007	4.008.0922	2.54	10	1	COVER FOR MOTOR FAN (MOTOR'96)		0	0	
008	5.009.0533	20	1	1	FRONT FLANGE '96 D.110 W/RING		0	0	
009	4.008.0714	20	1	1	PARTNER FAN H20		0	0	
010	5.002.0129	90.1	1	1	HOUSING 02 D 110 H100 240/50 2P		0	0	
011	3.001.0033	20	1	1	BALL BEARING 6003 2RS (17x35x10)		0	0	
012	5.005.0049	30.23	1	1	ROTOR D.55 H.100 CIL. ESP.00		0	0	
014	4.005.0219	12.98	2	1	FRONT FLANGE D.110 PT'03 ESP.01	5.009.0533	20	1	FRONT FLANGE '96 D.110 W/RING
015	3.201.0008	4.96	6	1	OIL SEALING RING D. 17X35X7		0	0	
016	3.001.0030	20.58	1	1	RADIAL		0	0	
017	4.005.0218	5.73	4	1	WOBBLE PLATE 9'35 PT'03 ESP.02		0	0	
019	6.005.0087	20	1	1	KIT 87 LW		0	0	
020	6.005.0181	20	1	1	KIT 167 LW PISTON		0	0	
022	6.005.0226	20	1	1	KIT 209 O-RING		0	0	
024	6.005.0183	11.33	2	1	KIT 169 LW INJECTOR 1,7		0	0	
025	6.005.0079	11	2	1	KIT 79 LW OIL SEALS		0	0	
026	6.005.0184	10	2	1	KIT 170 LW HEAD VALVE KIT		0	0	
027	4.005.0210	20	1	1	'03 PARTNER HEAD REV.11		0	0	
028	6.005.0133	10	2	1	KIT 124 O-RING WATER SEAL PARTNER D.12		0	0	
029	6.005.0134	10	2	1	KIT 125 O-RING SEAL		0	0	
030	4.005.0211	22	1	1	PISTON BODY GUIDE PT'03 ESP00		0	0	
031	5.006.0178	111.09	1	1	MOTOR'03 D.110 H100 230-240/50		0	0	
032	5.007.0187	54.94	1	1	BODY GUIDE PT'03 PISTONS D.12W/ASS,DETERG.SUCTION		0	0	
033	5.008.0182	20	1	1	'03 PARTNER HEAD D.12		0	0	

Exploded drawing E8074C001/01

by LavorWash



- 13 
- 14 
- 15 
- 16  optional
- 17 



PARTS LIST

Code R80740001-1
Description CHASSIS

Start Date 24/11/2005
End Date 1/1/3000
Table E8074C001-01

Pos.	Code	Price	Q.ty per pck.	Qty.	Description	Alternative	Price	Q.ty per pck.	Description
001	4.013.0505	20	1	1	YELLOW COVER		0	0	
002	4.007.0291	20	1	1	FIXING CLAMP		0	0	
003	5.001.0533	183.12	1	1	MOTORPUMP PT'03 110h100 230-240/50 D.12 9'35 TS IN 1.78MACH		0	0	
004	6.005.0235	20	1	1	KIT 128 LW ACCESSORIES HOLDERFOR MACH/MHR/RUNNER		0	0	
005	5.009.0213	10	2	1	SWITCH WITH PROTECTION 12(10)		0	0	
006	6.005.0237	28.02	1	1	KIT 220 HANDLE RUNNER		0	0	
007	6.005.0233	20	1	1	KIT 216 LW		0	0	
008	4.018.0066	20	1	1	1/4 160 BAR HOSE L=900MM HW WITH PIN OR SEEGER ESP.02		0	0	
009	5.011.0084	20	1	1	TANK COMPLETE MACH BLACK + TAP		0	0	
010	4.012.0149	20	1	1	CABLE H05VV-F 3X1 SCHUKO PLUGMT.5,4 F/F		0	0	
011	6.005.0236	20	1	1	KIT 219 WHEEL RUNNER		0	0	
012	4.007.0290	20	1	1	FIXING AXLE FOR WHEEL		0	0	
013	4.018.0073	30	1	1	HOSE 1/4 160 BAR L 8M 1/4F 3/8F.90'		0	0	
014	6.001.0046	23	1	1	HP SPRAY GUN S'01	6.001.0067	32.55	1	GUN S'01-EU-INTERM.SECURITY PIN YELLOW
015	6.002.0190	17.51	2	1	S'99 LANCE 1,05 HI-LO (GREY)	6.002.0191C	17.51	2	LANCE S'99 1,10 HIGH/LOW (GREEN) L=47cm
017	4.008.0031	1	20	1	INLET WATER FILTER H2O D.16 CONICAL		0	0	
018	4.008.0986	10	2	1	BACK COVER MACH FOR WHEELS D.180		0	0	