

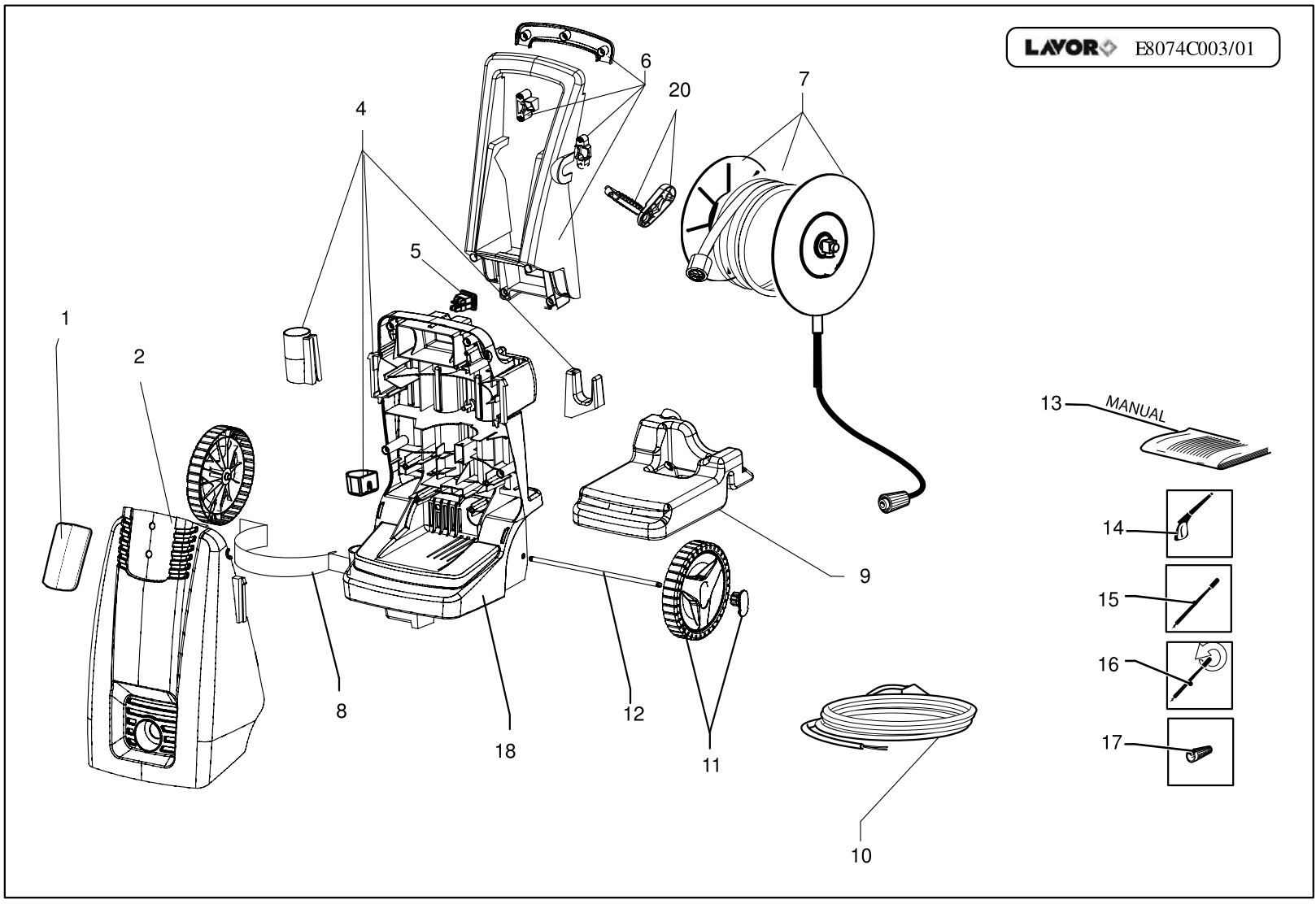


PARTS LIST

Code R50010631-1
Description MOTORPUMP

Start Date 13/12/2007
End Date 1/1/3000
Table E50010015-07

Pos.	Code	Price	Q.ty per pck.	Qty.	Description	Alternative	Price	Q.ty per pck.	Description
000	5.001.0631	165	1	1	MOTORPUMP 125 h100 230/50	5.001.0679	165	1	MOTOP.PT'03 125h100 230-240/50D.12 12' TS
001	3.404.0016	20	1	1	CAPACITOR 45 mF 450V D.50X90 ESP. 02		0	0	
007	4.008.0583	10	2	1	MOTOR FAN COVER '96 WITHOUT GRILL		0	0	
008	5.X09.0587	20	1	1	ANTERIOR FLANGE x PT'03 D.125.		0	0	
009	6.005.0251	20	1	1	KIT 168 LW RING+FAN		0	0	
011	3.001.0020	10	2	1	RADIAL FOR POSTERIOR FLANGE 17X40X12 6203 2RS		0	0	
014	4.X05.0226	20	1	1	FRONT FLANGE MOTOR D.125h100 PT'03 LAV.WITH/THREAD ESP.03		0	0	
015	3.201.0001	1	20	1	OIL SEAL 20/35/6/6,5 BABSL		0	0	
016	3.001.0031	20	1	1	ANTERIOR RADIAL FOR CASING 20X52X15 - 6304		0	0	
017	4.005.0225	2.53	10	1	INCLINATED PLATE 12 DEGREE X PT'03 REV.01		0	0	
019	4.007.0328	10	2	1	THRUST BEARING 35X55X12 PT'03REV.03		0	0	
020	6.005.0181	20	1	1	KIT 167 LW PISTON		0	0	
022	6.005.0226	20	1	1	KIT 209 O-RING		0	0	
024	6.005.0277	20	1	1	KIT 252		0	0	
025	6.005.0079	11	2	1	KIT 79 LW OIL SEALS		0	0	
026	6.005.0184	10	2	1	KIT 170 LW HEAD VALVE KIT		0	0	
027	4.005.0210	20	1	1	'03 PARTNER HEAD REV.11		0	0	
028	6.005.0133	10	2	1	KIT 124 O-RING WATER SEAL PARTNER D.12		0	0	
029	6.005.0134	10	2	1	KIT 125 O-RING SEAL		0	0	
030	4.005.0263	20	1	1	PISTON BODY GUIDE PT'03 WITH SUCTION VALVE		0	0	
031	5.009.0624	140	1	1	99'MOTOR ASSEMBLY D.125H100 230/50 2P	5.009.0624C	140	1	MOTOR ASSEMBLY 99 D125H100 230-240/50 -C-
032	5.007.0229	50.5	1	1	BODY GUIDE PISTON D.12		0	0	
033	5.008.0182	20	1	1	'03 PARTNER HEAD D.12		0	0	
034	5.Y09.0596	14.42	2	1	COMPLETE VALVE TS PT'03 CABLEL=510 (SPRING 17kg)	5.009.0596	20.98	2	COMPENSATED VALVE WITH TS - SPRING 17 KG -





PARTS LIST

Code R80740601-2
Description CHASSIS

Start Date 13/12/2007
End Date 1/1/3000
Table E8074C003-01

Pos.	Code	Price	Q.ty per pck.	Qty.	Description	Alternative	Price	Q.ty per pck.	Description
001	4.013.0504	2.27	10	1	COVER HIGHER		0	0	
002	4.013.0537	20	1	1	YELLOW FRONT CHASSIS		0	0	
004	6.005.0235	20	1	1	KIT 128 LW ACCESSORIES HOLDERFOR MACH/MHR/RUNNER		0	0	
005	5.009.0213	10	2	1	SWITCH WITH PROTECTION 12(10)		0	0	
006	6.005.0237	28.02	1	1	KIT 220 HANDLE RUNNER		0	0	
007	5.011.0091	136.51	1	1	COMPLETE WINDING		0	0	
008	4.007.0308	20	1	1	FIXING MOTOP. BAND MACHD.125 ESP.02		0	0	
009	5.011.0086	20	1	1	DETERGENT TANK		0	0	
010	4.012.0150	20	1	1	CABLE H05VV-F 3X1.5 MT.5.2 F/FSCHUKO PLUG ESP.00		0	0	
011	6.005.0285	20	1	1	KIT 260 WHEEL TEMPESTA/RUNNER		0	0	
012	4.007.0290	20	1	1	FIXING AXLE FOR WHEEL		0	0	
013	7.100.1468	22.5	1	1	MANUAL HIDRO HOBBY		0	0	
014	6.001.0065	36.57	1	1	GUN S'01DM WITH PRESSURE GAUGE	6.001.0077	36.57	1	GUN S'02C WITH QUICK CONNECTION
015	6.002.0186	33.48	1	1	LANCE SY'99 1,20		0	0	
016	6.002.0223	35.02	1	1	ROTOX LANCE S97 1,20 (RED) BRASS		0	0	
017	4.008.0031	1	20	1	INLET WATER FILTER H2O D.16 CONICAL		0	0	
018	4.008.0986	10	2	1	BACK COVER MACH FOR WHEELS D.180		0	0	
020	5.011.0083	20	1	1	KIT HANDLE LONG VERSION		0	0	