



PARTS LIST

Code R50010455-2
Description MOTOR

Start Date 8/6/2004
End Date 1/1/3000
Table E50010012-02

Pos.	Code	Price	Q.ty per pck.	Qty.	Description	Alternative	Price	Q.ty per pck.	Description
001	5.009.0538	10.59	2	2	SWITCH ASSY + PROTECTION COVER14 (14)		0	0	
002	3.406.0004	1	20	1	CABLE TERMINAL PG.11		0	0	
004	3.002.0135	1	20	2	SELF-TAPPING SCREW TC-TC 2.9X13 UNI 6 954 ZNT		0	0	
005	3.404.0016	20	1	1	CAPACITOR 45 mF 450V D.50X90 ESP. 02		0	0	
007	4.008.0583	10	2	1	MOTOR FAN COVER '96 WITHOUT GRILL		0	0	
008	3.099.0049	10	2	1	LOCKING RING D.23 FAN FB80		0	0	
009	4.008.0092	20	1	1	FAN FB80 WITH HOLE D.16,5 (PARTNER)		0	0	
010	5.002.0121	166.02	1	1	FRAME '96 D125 H110 230/50 2P2800W	5.002.0127	140.32	1	MOTOR CASING '96 D125 H110 230/50 2P 2800W
011	3.001.0020	10	2	1	RADIAL FOR POSTERIOR FLANGE 17X40X12 6203 2RS		0	0	
012	5.005.0029	47.92	1	1	ROTOR SHAFT 125'96 TAPERED H.110 230/50		0	0	
013	3.002.0115	1	20	3	SCREW TC M5X35 SWAGEFORM ZNT		0	0	
014	4.005.0183	0	1	1	FRONT FLANGE MOTOR D.125 H.110FOR PARTNER	5.009.0395	33.98	1	FRONT FLANGE FOR PARTNER PACCOH110
015	3.201.0001	1	20	1	OIL SEAL 20/35/6/6,5 BABSL		0	0	
016	3.001.0002	10	2	1	BALL OBLIQUE		0	0	
017	4.005.0054	20	1	1	INCLINED PLATE 9.95 11,35' SEP.01	4.005.0007	20	1	INCLINED PLATE G.10.37' DIE CASTED
018	3.001.0003	2	10	1	DISK AS 4565		0	0	
019	3.001.0025	2.27	10	1	NEEDLE-ROLLER CAGE		0	0	
020	4.007.0001	20	1	1	THRUST SHOE D.65 (C10Pb) FINISHED		0	0	
021	5.009.0530	11.25	2	3	TURNED BLOCK ASSY /AISI PISTON440C D.12 PARTNER	6.005.0144	35	1	KIT 131 CERAMIC PISTON PT D.12
022	3.200.0014	1	20	1	O-RING GASKET 85X2,5 NITRILIC		0	0	
023	4.007.0025	1	20	3	PISTON RECALL SPRING D.14 ESP.01		0	0	
024	5.009.0516	20	1	1	MICRO ASSY+CABLE TS MACH USA/EU ESP.00		0	0	
025	4.006.0270	6.71	4	1	TS COUPLING		0	0	
026	4.006.0269	10	2	1	BRASS SPACER FOR SPRING		0	0	
027	4.007.0284	5.08	5	1	RECALL SPRING FOR ROD		0	0	



PARTS LIST

Code R50010455-2
Description MOTOR

Start Date 8/6/2004
End Date 1/1/3000
Table E50010012-02

Pos.	Code	Price	Q.ty per pck.	Qty.	Description	Alternative	Price	Q.ty per pck.	Description
028	3.200.0073	1	20	1	OR GASKET		0	0	
029	4.008.0782	5.08	5	1	CONTROL ROD FOR MICRO		0	0	
030	4.007.0305	1	20	1	SCREW M3M25 A2-70		0	0	
031	4.006.0272	20	1	1	SEAL SEAT WITH SPACER ESP.01		0	0	
032	3.200.0113	1	20	1	OR GASKET OR 15.08X2.62		0	0	
033	4.007.0285	10	2	1	SPRING		0	0	
034	4.006.0268	1	20	1	BRASS PISTON D.11		0	0	
035	3.200.0059	1	20	1	O-RING 7.66 X1.78		0	0	
036	4.608.0153	4.54	5	1	ANTIEXTRUSION O-RING FOR 2031O-RING REV.03	4.608.0326	2.5	9	ANTIEXTRUSION O-RING DIM. 8x11x1,5
037	4.006.0273	10.59	3	1	PISTON SEAT AND VALVE	4.006.0342	20	1	PISTON SEAT AND VALVE
038	3.200.0118	1	20	1	OR GASKET 14X1.78 NBR SH.90		0	0	
039	3.200.0029	1	20	1	O-RING 18,72X2,62		0	0	
042	5.009.0503	6.75	3	1	RUBBER HOLDER WITH DET. SUCTION M10 WITH ORING		0	0	
044	3.005.0006	1	20	1	BALL D.5.55 INOX 420 B		0	0	
045	4.007.0014	1	20	1	DETERG.STOP VALVE SPRING 4X8 ESP.3		0	0	
046	4.005.0217	31.79	1	1	BODY GUIDE D.12 COMPLETE VALVE'02 S/REG.ING.WATER M20		0	0	
048	5.609.0041	10	2	1	NON RETURN VALVE + OR ASSEMBLY		0	0	
049	4.007.0324	1	20	1	SPRING FOR CHECK VALVE WIRE D.0.5 ESP.01		0	0	
050	3.200.0017	1	20	1	O-RING GASKET 9,13X2,62 REF.109		0	0	
051	5.009.0497	5.3	5	1	INJECTOR ASSY D.1,9 +OR		0	0	
053	3.200.0013	1	20	6	O-RING 11,1X1,78		0	0	
054	3.201.0014	3.63	6	3	OIL SEAL RING D.12X20X5/7		0	0	
055	3.002.0094	1	20	2	SCREW TCEI M6X30 ZNT		0	0	
056	5.009.0101	6.75	3	2	CAP VALVE SUCTION DELIVERY-ORMOUNTED		0	0	
057	5.009.0005	6.75	3	3	DELIVERY SUCTION VALVE LAVOR 1		0	0	



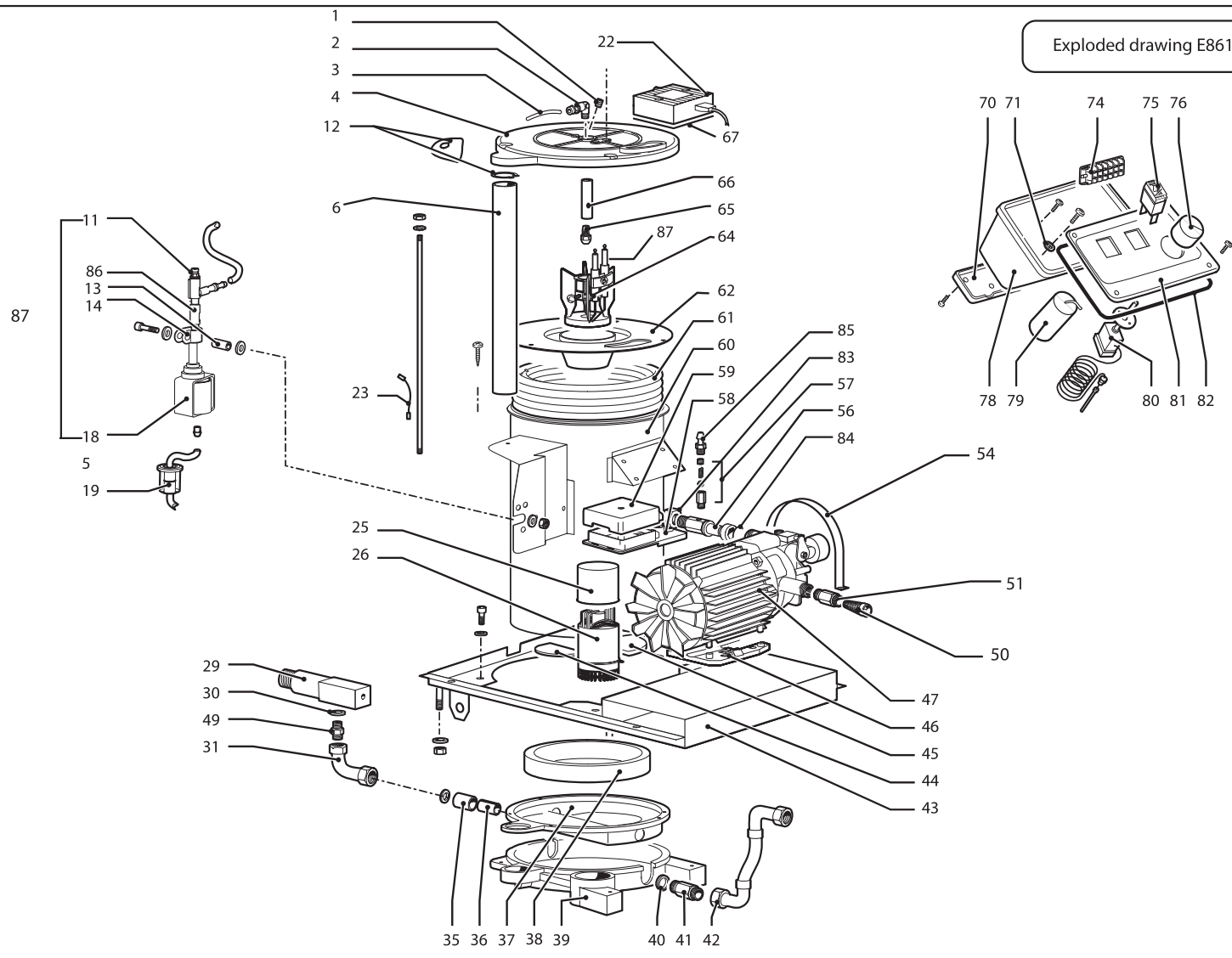
PARTS LIST

Code R50010455-2
Description MOTOR

Start Date 8/6/2004
End Date 1/1/3000
Table E50010012-02

Pos.	Code	Price	Q.ty per pck.	Qty.	Description	Alternative	Price	Q.ty per pck.	Description
058	3.200.0019	1	20	3	O-RING 12,4X1,78 SH.90		0	0	
059	3.107.0006	21.2	1	1	D.40 0/300 BAR 1/8 GLYCERIN MANOMETER		0	0	
062	3.200.0018	1	20	1	OR-RING GASKET 9.92X2.62 SHORE90		0	0	
064	4.008.0657	1	20	3	OIL SPACER D.12 REV.02		0	0	
065	4.006.0251	6.75	3	3	PIECE FOR SUPPORT PARTNER D.12		0	0	
066	3.202.0003	1	20	3	ANTIEXTRUSION PARKER WB1218PS033		0	0	
067	3.201.0027	5	5	3	WATER HOLD-RINGW21218Q5018 (NERE PARKER)	3.201.0021	4.1	6	WATER SEAL O-RING 12X18X4,5 W21218Q5023
068	5.009.0015	4	6	3	COMPLETE SUCTION VALVE		0	0	
069	4.006.0256	67.04	1	1	BRASS PARTNER HEAD D.18		0	0	
070	3.002.0130	1	20	4	HEXAGON SOCKET HEAD CAP SCREWM6X70 CL.12,9 UNI5931		0	0	
071	4.008.0031	1	20	1	INLET WATER FILTER H2O D.16 CONICAL		0	0	
082	5.006.0156	226.14	1	1	99 MOTOR D. 125 H110 230/50		0	0	
083	5.007.0166	122.43	1	1	PISTON BODY GUIDE D.12 +IN.1,9S/REX. TS ING.M20 CER		0	0	
084	5.008.0173	115.72	1	1	BRASS PARTNER HEAD D.12		0	0	
085	3.704.0006	25	1	1	AIR PRESS.SWITCH 25BAR 1/8 L.750		0	0	
087	3.406.0011	1	20	1	BUSHING FOR PG.11 CABLE TERMINAL		0	0	
088	5.009.0315	20	1	1	CAP FOR VALVE 1/8 INL./OUTL. WITH OR		0	0	
089	3.100.0025	5	4	1	ELBOW 1/8 M-1/8 F		0	0	

Exploded drawing E8617X003/03





PARTS LIST

Code R8619X008-1
Description BOILER

Start Date 29/8/2007
End Date 1/1/3000
Table E8617X003-03

Pos.	Code	Price	Q.ty per pck.	Qty.	Description	Alternative	Price	Q.ty per pck.	Description
001	3.002.0159	1	20	1	SCREW M6X6		0	0	
002	3.100.0075	10	2	1	CONIC CONNECTION M 1/8 F D.4 CURVED FOR GASOIL HOSE VITON		0	0	
003	4.608.0145	20	1	1	RILSAN GASOIL HOSE X PARANA' L=500 ESP.00		0	0	
004	4.005.0194	54.17	1	1	CAP FOR BOILER FKX		0	0	
006	4.607.0236	20	1	1	HOSE D40 L=410		0	0	
009	4.607.0238	4.33	6	3	ROD FOR BOILER		0	0	
011	5.009.0304	20	1	1	ADJUSTING VALVE SET		0	0	
012	5.009.0637	20	1	1	BOILER CAP KIT		0	0	
013	4.007.0185	20	1	1	SPACER FOR FIXING CLAMP		0	0	
014	3.099.0452	3.86	6	1	WRAPPER D.20 CLAMP 20 W2	3.099.0110	1.08	20	D.12 CLAMP
018	3.551.0018	71.81	1	1	GASOIL PUMP	6.005.0155	100	1	KIT 141 LW GAS. PUMP FOR PARANA' 230/50
019	5.011.0058	7.95	3	1	GAS OIL FILTER ASSY	5.611.0043	10	2	GAS OIL FILTER UNIT JOLLY 4/93
021	3.004.0002	1	20	2	WASHER 4.3X9		0	0	
022	5.009.0545	125.45	1	1	TRANSFORMER 230-240/50-60 S/CAV C/PIPETTE FKX-PARANA'		0	0	
023	4.012.0102	3.86	6	2	CABLE L=600 SEC.0,75 IEC227-3/1979		0	0	
024	3.003.0005	1	20	1	SELF-LOCKING NUT M6 UNI7474		0	0	
025	4.008.0470	20	1	1	FAN MOTOR COVER		0	0	
026	3.304.0005	53.85	1	1	BURNER MOTOR 230/50 C/W FAN, FLANGE, CABLES AND COVER		0	0	
028	3.004.0007	1	20	3	WASHER 6X18 UNI 6593 ZNT		0	0	
029	4.606.0191	20	1	1	OUTLET JOINT		0	0	
030	3.004.0036	1	20	2	COPPER WASHER 3/8 17X22 SP.1.5		0	0	
031	3.100.0094	20	1	1	ANGLE CONNECTOR 3/8 -3/8		0	0	
035	4.007.0184	20	1	1	COUPLING PIPE FOR PARANA'		0	0	
036	4.008.0449	20	1	1	THERMORESISTANT COUPLING BOW 17X23XL40		0	0	
037	4.007.0158	43.91	1	1	BOILER PAD		0	0	



PARTS LIST

Code R8619X008-1
Description BOILER

Start Date 29/8/2007

End Date 1/1/3000

Table E8617X003-03

Pos.	Code	Price	Q.ty per pck.	Qty.	Description	Alternative	Price	Q.ty per pck.	Description
038	4.008.0503	10.16	2	1	BAND IN CERAMIC FIBER		0	0	
039	4.605.0042	70.95	1	1	BASE FOR PARANA' BOILER		0	0	
040	4.007.0200	20	1	1	WASHER20.2X26X3		0	0	
041	4.607.0237	20	1	1	RUBBER HOSE COUPLING FOR COIL		0	0	
042	4.618.0067	20	1	1	HOSE 5/16 R1 15DEG. 250 BAR 3/8 F ROT.-3/8 F ROT.		0	0	
043	5.613.0154	76.32	1	1	MOTOPUMP-BOILER SUPPORT FOR PARANA'		0	0	
044	4.008.0450	7.25	4	1	THERMORESISTANT PAD		0	0	
045	4.008.0658	20	1	1	THERMORESISTANT FELT BOTTOM PLATE X FKX/PARANA' ESP.02		0	0	
046	4.008.0514	20	1	1	BLACK EAGLE FOOT FOR MOTOR- PUMP SUPPORT		0	0	
047	5.001.0607	0	1	1	MOTORPUMP		0	0	
049	3.100.0023	2.2	10	1	NIPPLE 3/8 CIL. SV. 3/8 CIL.SV		0	0	
050	4.008.0031	1	20	1	INLET WATER FILTER H2O D.16 CONICAL		0	0	
051	4.006.0181	20.41	2	1	WATER INLET SPACER	5.009.0611	10	2	GASKET
054	4.007.0287	20	1	1	FIXING CLAMP		0	0	
056	4.007.0307	20	1	1	JUNCTIONESP.02	6.005.0319	20	1	KIT 291 LW RACCORDO
057	3.106.0004	25	1	1	SECURITY VALVE G1/8 M D6 200BAR MTM 00036021		0	0	
058	4.608.0141	20	1	1	ELECTRICAL BOX BASE FOR MOTOPUMP		0	0	
059	4.608.0140	3.64	7	1	ELECTRICAL BOX COVER FOR MOTOPUMP		0	0	
060	5.613.0188	49.65	1	1	BOILER BODY		0	0	
061	4.604.0017	291.43	1	1	COIL D.202 FOR PARANA'	4.604.0031	204	1	SERPENTINA D.202 (1.5 GIRI) PER PARANA' ESP.00
062	5.013.0027	52.77	1	1	DISK HEAD HOLDER		0	0	
063	4.012.0177	7.61	3	1	CABLE AND EYELET		0	0	
064	3.099.0297	36.99	1	1	COMPLETE DEFLECTOR	6.005.0308	36.99	1	KIT 280 LW DEFLETTOR PARANà +ELETTRODI
065	3.104.0007	20	1	1	GASOIL 0.75 60/A		0	0	
066	4.006.0187	20	1	1	NOZZLE HOLDER PIN		0	0	



PARTS LIST

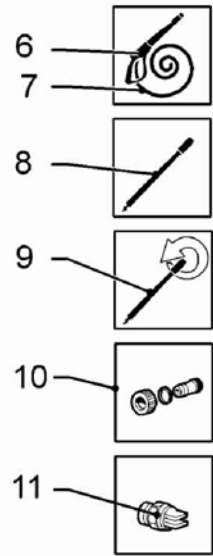
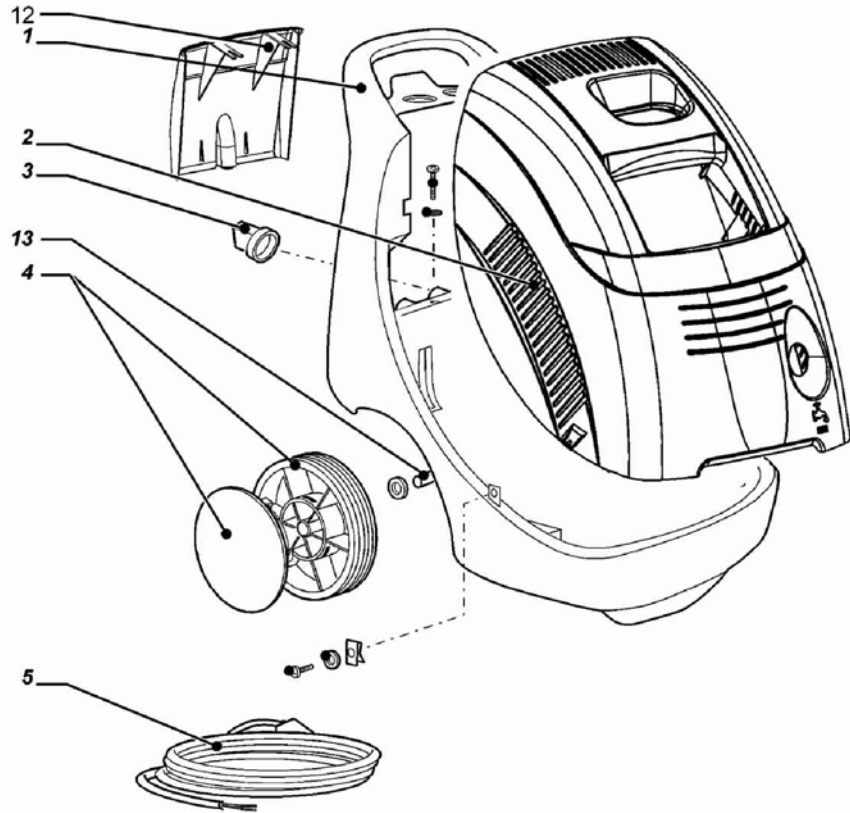
Code R8619X008-1
Description BOILER

Start Date 29/8/2007
End Date 1/1/3000
Table E8617X003-03

Pos.	Code	Price	Q.ty per pck.	Qty.	Description	Alternative	Price	Q.ty per pck.	Description
068	5.611.0101	13.35	2	2	CABLE		0	0	
070	4.608.0071	4.31	6	1	GUIDING CABLE COVER DASHBOARD '93		0	0	
074	3.405.0011	7.04	4	1	TERMINAL BOARD PA 32/6		0	0	
075	5.009.0538	10.59	2	2	SWITCH ASSY + PROTECTION COVER14 (14)		0	0	
076	4.608.0164	10	2	1	THERMOSTAT KNOB		0	0	
078	4.608.0065	20	1	1	BOX DASHBOARD '93		0	0	
080	3.403.0032	33.1	1	1	THERMOSTAT 30/90 FOR PARANA'		0	0	
081	4.608.0207	20	1	1	DASHBOARD		0	0	
082	4.608.0078	20	1	1	GASKET		0	0	
083	4.006.0283	20	1	1	FERRULE M22x1,5 L=16.		0	0	
084	3.200.0001	1	20	1	O-RING GASKET 9,92X2,62 RIF.112		0	0	
085	4.606.0088	20	1	1	RUBBER HOLDER 1/4 G M D.7		0	0	
086	3.106.0006	20	1	1	DEAREATOR FOR GASOIL PUMP		0	0	
087	4.614.0003	29.2	1	1	ELECTRODE D.2 FKX PARANA'		0	0	

Exploded drawing E8619C001/01

by LAVORWASH



052004



PARTS LIST

Code R86190001-1 Start Date 21/10/2003
 Description IDRO MISSOURI 230/50 TS -G- LWS End Date 1/1/3000
 Table E8619C001/01

Pos.	Code	Price	Q.ty per pck.	Qty.	Description	Alternative	Price	Q.ty per pck.	Description
001	4.608.0142	200	1	1	PLASTIC BASE FOR PARANA'		0	0	
002	4.613.0175	65	1	1	UPPER COVER FOR MUSSOURI -G- RAL 1018		0	0	
003	4.608.0027	6.59	4	3	CAP DIAM.30 FOR TANK FIRE 100		0	0	
004	6.605.0018	26.38	1	1	WHEELS KIT + STUDS FOR YUKON/MISSOURI		0	0	
005	5.009.0431	25.28	1	1	WIRING PARTN. 3X1,5 PVC MT 5 SCHUKO PLUG		0	0	
006	6.001.0053	27	1	1	HP SPRAY GUN S'02 3/8' ESP.02	6.001.0071	29	1	GUN S'09C 3/8'-M22 REV.00
007	4.618.0049	55	1	1	HOSE 1/4 R1 210BAR L=8000 3/8"F		0	0	
008	3.701.0015	23	1	1	LANCE L.700 +PL4/1+WASHER+ QUICK CONN.M22 41102850		0	0	
010	5.009.0340	10	2	1	QUICK COUPLING ASSY +GASKET+RING NUT		0	0	
011	3.103.0049	10	2	1	HIGH PRESSURE NOZZLE 15040 1/8M (C25040)		0	0	
012	4.613.0176	19.14	2	1	CARENATURA POSTER. MISSOURI -G- RAL 1018 (INIEZ.)	4.613.0299	23	1	REAR BLACK COVER
013	4.607.0220	22.93	1	1	AXLE FOR VICTORIA-PARANA'		0	0	

028	3.200.0073	1	20	1	OR GASKET		0	0	
029	4.008.0782	5.08	5	1	CONTROL ROD FOR MICRO		0	0	
030	4.007.0305	1	20	1	SCREW M3M25 A2-70		0	0	
031	4.006.0272	20	1	1	SEAL SEAT WITH SPACER ESP 01		0	0	